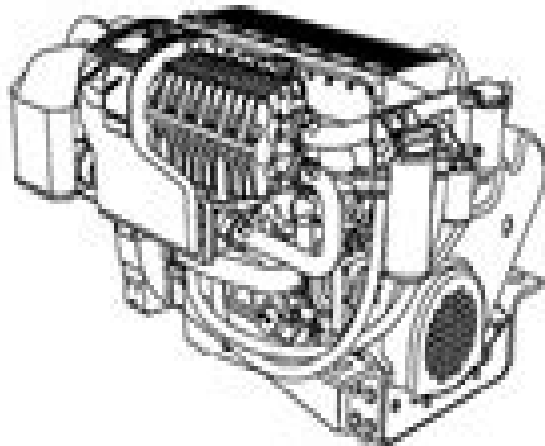
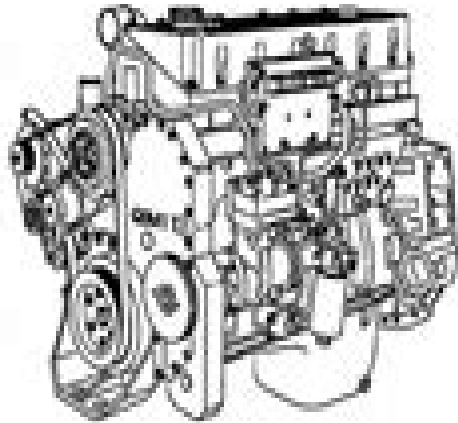




Operation and Maintenance Manual Marine and Industrial QSM11 Engine



CALIFORNIA Proposition 65 Warning

Diesel engine exhaust and some of its constituents are known to the State of California to cause cancer, birth defects, and other reproductive harm.

Cummins Qsm11 Marine Engine Service Manual

S Baum



Cummins Qsm11 Marine Engine Service Manual:

MotorBoating ,2000-04 **Ship & Boat International** ,2004 **Mergent Industrial Manual** ,2001
Troubleshooting and Repair Manual ,2004 **Operation and Maintenance Manual** Cummins Engine Company,197?
Cummins Marine Diesel Maintenance Manual Cummins Engine Company,1963 Operator's Manual Cummins Engine Company,1966 Marine Diesel Engines Jean-Luc Pallas,2006 By means of superb photos and diagrams Pallas explains in simple terms the operation of a diesel engine and shows how to maintain and repair it should it break down This book will be an invaluable reference for when things go wrong Cummins L and LR Diesel Engines Service Manual ,1955 *Service Manual* Cummins Engine Company,1955 **Haynes Techbook Cummins Diesel Engine Manual** Editors of Haynes Manuals,2020-02-25 The mysteries of the versatile LS series engines are unlocked in the Haynes Techbook Cummins Diesel Engine Manual Covering everything from engine overhaul cylinder head selection and modification induction and fuel systems camshafts and valve train to beefing up the bottom end turbo and supercharger add ons engine swaps and extreme builds this manual will help you get the most from your LS powered vehicle Operation and Maintenance Manual Cummins Engine Company,1970 **Standard Repair Operations Manual** Cummins Engine Company,1977
Alternative Repair Manual ,1985 **Lister-Petter Series AC1W Dieselite Marine Engine** Marine Diesel GM,2014-12-08 The Workshop Manual including a Spare Parts List for the popular Marine Diesel Engine Lister Petter AC1W
Farymann Marine Diesel Engine Farymann,2013-01 Reprint of the official service manual for Farymann marine diesel engines A30 A40 P30 K30 L30 R30 and S30 Turbocharged Marine Engine Systems General Motors Corporation. Electro-Motive Division,1980 **Service Manual** Caterpillar Tractor Company,1976 Volvo Penta (Seloc) Seloc,2008
This manual covers the topics that a factory service manual designed for factory trained mechanics and a manufacturer owner s manual designed more by lawyers than boat owners these days covers It will take you through the basics of maintaining and repairing your motor step by step to help you understand what the factory trained mechanics already know by heart Page 1 2 **Cummins Troubleshooting and Repair Manual** Cummins Engine Company,1988

This is likewise one of the factors by obtaining the soft documents of this **Cummins Qsm11 Marine Engine Service Manual** by online. You might not require more period to spend to go to the book foundation as without difficulty as search for them. In some cases, you likewise do not discover the proclamation Cummins Qsm11 Marine Engine Service Manual that you are looking for. It will categorically squander the time.

However below, taking into consideration you visit this web page, it will be for that reason totally simple to acquire as without difficulty as download lead Cummins Qsm11 Marine Engine Service Manual

It will not give a positive response many epoch as we run by before. You can complete it while fake something else at home and even in your workplace. in view of that easy! So, are you question? Just exercise just what we present under as competently as review **Cummins Qsm11 Marine Engine Service Manual** what you like to read!

https://automacao.clinicaideal.com/About/virtual-library/HomePages/matematica_azzurro_1_esercizi.pdf

Table of Contents Cummins Qsm11 Marine Engine Service Manual

1. Understanding the eBook Cummins Qsm11 Marine Engine Service Manual
 - The Rise of Digital Reading Cummins Qsm11 Marine Engine Service Manual
 - Advantages of eBooks Over Traditional Books
2. Identifying Cummins Qsm11 Marine Engine Service Manual
 - Exploring Different Genres
 - Considering Fiction vs. Non-Fiction
 - Determining Your Reading Goals
3. Choosing the Right eBook Platform
 - Popular eBook Platforms
 - Features to Look for in an Cummins Qsm11 Marine Engine Service Manual
 - User-Friendly Interface
4. Exploring eBook Recommendations from Cummins Qsm11 Marine Engine Service Manual

- Personalized Recommendations
 - Cummins Qsm11 Marine Engine Service Manual User Reviews and Ratings
 - Cummins Qsm11 Marine Engine Service Manual and Bestseller Lists
5. Accessing Cummins Qsm11 Marine Engine Service Manual Free and Paid eBooks
 - Cummins Qsm11 Marine Engine Service Manual Public Domain eBooks
 - Cummins Qsm11 Marine Engine Service Manual eBook Subscription Services
 - Cummins Qsm11 Marine Engine Service Manual Budget-Friendly Options
 6. Navigating Cummins Qsm11 Marine Engine Service Manual eBook Formats
 - ePub, PDF, MOBI, and More
 - Cummins Qsm11 Marine Engine Service Manual Compatibility with Devices
 - Cummins Qsm11 Marine Engine Service Manual Enhanced eBook Features
 7. Enhancing Your Reading Experience
 - Adjustable Fonts and Text Sizes of Cummins Qsm11 Marine Engine Service Manual
 - Highlighting and Note-Taking Cummins Qsm11 Marine Engine Service Manual
 - Interactive Elements Cummins Qsm11 Marine Engine Service Manual
 8. Staying Engaged with Cummins Qsm11 Marine Engine Service Manual
 - Joining Online Reading Communities
 - Participating in Virtual Book Clubs
 - Following Authors and Publishers Cummins Qsm11 Marine Engine Service Manual
 9. Balancing eBooks and Physical Books Cummins Qsm11 Marine Engine Service Manual
 - Benefits of a Digital Library
 - Creating a Diverse Reading Collection Cummins Qsm11 Marine Engine Service Manual
 10. Overcoming Reading Challenges
 - Dealing with Digital Eye Strain
 - Minimizing Distractions
 - Managing Screen Time
 11. Cultivating a Reading Routine Cummins Qsm11 Marine Engine Service Manual
 - Setting Reading Goals Cummins Qsm11 Marine Engine Service Manual
 - Carving Out Dedicated Reading Time
 12. Sourcing Reliable Information of Cummins Qsm11 Marine Engine Service Manual

- Fact-Checking eBook Content of Cummins Qsm11 Marine Engine Service Manual
 - Distinguishing Credible Sources
13. Promoting Lifelong Learning
- Utilizing eBooks for Skill Development
 - Exploring Educational eBooks
14. Embracing eBook Trends
- Integration of Multimedia Elements
 - Interactive and Gamified eBooks

Cummins Qsm11 Marine Engine Service Manual Introduction

Free PDF Books and Manuals for Download: Unlocking Knowledge at Your Fingertips In today's fast-paced digital age, obtaining valuable knowledge has become easier than ever. Thanks to the internet, a vast array of books and manuals are now available for free download in PDF format. Whether you are a student, professional, or simply an avid reader, this treasure trove of downloadable resources offers a wealth of information, conveniently accessible anytime, anywhere. The advent of online libraries and platforms dedicated to sharing knowledge has revolutionized the way we consume information. No longer confined to physical libraries or bookstores, readers can now access an extensive collection of digital books and manuals with just a few clicks. These resources, available in PDF, Microsoft Word, and PowerPoint formats, cater to a wide range of interests, including literature, technology, science, history, and much more. One notable platform where you can explore and download free Cummins Qsm11 Marine Engine Service Manual PDF books and manuals is the internet's largest free library. Hosted online, this catalog compiles a vast assortment of documents, making it a veritable goldmine of knowledge. With its easy-to-use website interface and customizable PDF generator, this platform offers a user-friendly experience, allowing individuals to effortlessly navigate and access the information they seek. The availability of free PDF books and manuals on this platform demonstrates its commitment to democratizing education and empowering individuals with the tools needed to succeed in their chosen fields. It allows anyone, regardless of their background or financial limitations, to expand their horizons and gain insights from experts in various disciplines. One of the most significant advantages of downloading PDF books and manuals lies in their portability. Unlike physical copies, digital books can be stored and carried on a single device, such as a tablet or smartphone, saving valuable space and weight. This convenience makes it possible for readers to have their entire library at their fingertips, whether they are commuting, traveling, or simply enjoying a lazy afternoon at home. Additionally, digital files are easily searchable, enabling readers to locate specific information within seconds. With a few keystrokes, users can search for keywords, topics, or phrases, making research and

finding relevant information a breeze. This efficiency saves time and effort, streamlining the learning process and allowing individuals to focus on extracting the information they need. Furthermore, the availability of free PDF books and manuals fosters a culture of continuous learning. By removing financial barriers, more people can access educational resources and pursue lifelong learning, contributing to personal growth and professional development. This democratization of knowledge promotes intellectual curiosity and empowers individuals to become lifelong learners, promoting progress and innovation in various fields. It is worth noting that while accessing free Cummins Qsm11 Marine Engine Service Manual PDF books and manuals is convenient and cost-effective, it is vital to respect copyright laws and intellectual property rights. Platforms offering free downloads often operate within legal boundaries, ensuring that the materials they provide are either in the public domain or authorized for distribution. By adhering to copyright laws, users can enjoy the benefits of free access to knowledge while supporting the authors and publishers who make these resources available. In conclusion, the availability of Cummins Qsm11 Marine Engine Service Manual free PDF books and manuals for download has revolutionized the way we access and consume knowledge. With just a few clicks, individuals can explore a vast collection of resources across different disciplines, all free of charge. This accessibility empowers individuals to become lifelong learners, contributing to personal growth, professional development, and the advancement of society as a whole. So why not unlock a world of knowledge today? Start exploring the vast sea of free PDF books and manuals waiting to be discovered right at your fingertips.

FAQs About Cummins Qsm11 Marine Engine Service Manual Books

How do I know which eBook platform is the best for me? Finding the best eBook platform depends on your reading preferences and device compatibility. Research different platforms, read user reviews, and explore their features before making a choice. Are free eBooks of good quality? Yes, many reputable platforms offer high-quality free eBooks, including classics and public domain works. However, make sure to verify the source to ensure the eBook credibility. Can I read eBooks without an eReader? Absolutely! Most eBook platforms offer webbased readers or mobile apps that allow you to read eBooks on your computer, tablet, or smartphone. How do I avoid digital eye strain while reading eBooks? To prevent digital eye strain, take regular breaks, adjust the font size and background color, and ensure proper lighting while reading eBooks. What the advantage of interactive eBooks? Interactive eBooks incorporate multimedia elements, quizzes, and activities, enhancing the reader engagement and providing a more immersive learning experience. Cummins Qsm11 Marine Engine Service Manual is one of the best book in our library for free trial. We provide copy of Cummins Qsm11 Marine Engine Service Manual in digital format, so the resources that you find are reliable. There are also many Ebooks of related with Cummins Qsm11 Marine Engine Service Manual. Where to download Cummins Qsm11 Marine Engine Service Manual online

for free? Are you looking for Cummins Qsm11 Marine Engine Service Manual PDF? This is definitely going to save you time and cash in something you should think about. If you trying to find then search around for online. Without a doubt there are numerous these available and many of them have the freedom. However without doubt you receive whatever you purchase. An alternate way to get ideas is always to check another Cummins Qsm11 Marine Engine Service Manual. This method for see exactly what may be included and adopt these ideas to your book. This site will almost certainly help you save time and effort, money and stress. If you are looking for free books then you really should consider finding to assist you try this. Several of Cummins Qsm11 Marine Engine Service Manual are for sale to free while some are payable. If you arent sure if the books you would like to download works with for usage along with your computer, it is possible to download free trials. The free guides make it easy for someone to free access online library for download books to your device. You can get free download on free trial for lots of books categories. Our library is the biggest of these that have literally hundreds of thousands of different products categories represented. You will also see that there are specific sites catered to different product types or categories, brands or niches related with Cummins Qsm11 Marine Engine Service Manual. So depending on what exactly you are searching, you will be able to choose e books to suit your own need. Need to access completely for Campbell Biology Seventh Edition book? Access Ebook without any digging. And by having access to our ebook online or by storing it on your computer, you have convenient answers with Cummins Qsm11 Marine Engine Service Manual To get started finding Cummins Qsm11 Marine Engine Service Manual, you are right to find our website which has a comprehensive collection of books online. Our library is the biggest of these that have literally hundreds of thousands of different products represented. You will also see that there are specific sites catered to different categories or niches related with Cummins Qsm11 Marine Engine Service Manual So depending on what exactly you are searching, you will be able to choose ebook to suit your own need. Thank you for reading Cummins Qsm11 Marine Engine Service Manual. Maybe you have knowledge that, people have search numerous times for their favorite readings like this Cummins Qsm11 Marine Engine Service Manual, but end up in harmful downloads. Rather than reading a good book with a cup of coffee in the afternoon, instead they juggled with some harmful bugs inside their laptop. Cummins Qsm11 Marine Engine Service Manual is available in our book collection an online access to it is set as public so you can download it instantly. Our digital library spans in multiple locations, allowing you to get the most less latency time to download any of our books like this one. Merely said, Cummins Qsm11 Marine Engine Service Manual is universally compatible with any devices to read.

Find Cummins Qsm11 Marine Engine Service Manual :

matematica azzurro 1 esercizi

mcdougal american literature grade 11 teachers edition

mappe concettuali la filosofia antica impararestudiando

mathematical ideas miller 12th edition

materials science engineering op khanna

mcconnell brue economics 17th edition test answers

matlab tutorial for engineering electromagnetics and beyond

me since you laura wiess

masalah nilai awal dan syarat batas

mark scheme for s2403 010 1 jan11 geog1

mastering unit testing using mockito and junit acharya sujoy

mechanical design of pressure vessel by using pv elite

mastering science workbook 2a unit 8 answer

marbles mania depression michelangelo and me ellen forney

marie forleo b school

Cummins Qsm11 Marine Engine Service Manual :

5 examples of insubordination in the workplace with tips - Jan 16 2023

Jul 31 2023 examples of workplace insubordination here are some examples of how you might encounter insubordination at work 1 refusing to complete a task as mentioned an employee displays insubordination when they refuse to perform a task ordered by their employer that s within the scope of their job

insubordination at work examples how to address it aihr - Jul 22 2023

Oct 20 2023 sample write up for insubordination what could a written warning in the form of an employee write up look like have a look at the sample write up for insubordination subject insubordination warning dear employee name we are writing this letter to address a serious matter regarding your recent conduct which we consider insubordination

50 effective letters of reprimand templates ms word - Oct 13 2022

a letter of reprimand or a disciplinary letter is a part of a policy focused on progressive discipline it s used by the management to control the behavior of the employees the letter is one of the final corrective steps that supervisors use against employees before they consider to either suspend or terminate him

example of a disciplinary letter letterspro com - Feb 05 2022

dear recipients name we are writing this letter as a notification of a written warning for your violation of specify company s policy your no pay suspension will start from insert date insert the summary of reason for the disciplinary action we would

like to inform you that further misconduct in the future may lead to another
[how to write a disciplinary letter for insubordination](#) - Apr 19 2023

apr 5 2018 the disciplinary letter you write should cite the company policy on insubordination you can directly quote the employee handbook so it is implicitly clear to the employee and others who are privy to the document that these actions violated your establishment s protocols

[warning letter for insubordination 4 templates](#) - Aug 11 2022

struggling to administration insubordination in the workplace learn how into prevented and address insubordinate behavior in a swift and effective way

[insubordination at work examples how to address it aihr](#) - Sep 12 2022

this type is behavior creates control destroys standard workflow furthermore compromises teamwork insubordination would undermine a supervisor s level of respect and ability toward

how to write a disciplinary letter for insubordination bizfluent - Mar 06 2022

the disciplinary letter you write should cite the company policy up insubordination you can directly quote the employee handbook so a is implicitly clear to the employee and others who have privy to the documenting the these actions violations your establishment s protocols

warning for insubordination letters emails word excel - Nov 14 2022

aug 10 2018 sample warning letter for insubordination at work date name address subject warning for insubordination dear mr wilson i am writing this letter to inform you about your two days of disciplinary layoff due to your disrespectful behavior on friday 10 th august 2018 around 2 00 p m it also serves as a warning letter to avoid any such

insubordination at work examples how to address it - Jun 21 2023

struggling until organize insubordination in the workplace learn how to block and address insubordinate behavior in ampere fastest and effective paths

sample warning letter to employee for wilful insubordination - Mar 18 2023

please note if it is found that your act of insubordination was intentional without any valid reasons then it may result in disciplinary action against you viz penalty in terms of deduction from salary reduction suspension from work or termination from your employment or any other appropriate action as decided by the management as per the

insubordination at work examples how to address it aihr sample - Jun 09 2022

struggling to manage insubordination in the workplace learn how until prevents and address insubordinate personality in a swift and effective manner

[insubordination warning letter 4 free templates writolay](#) - Sep 24 2023

aug 25 2023 inform the employee of the potential consequences of continued insubordination including disciplinary action and termination remind the employee of the values of professionalism mutual respect and cooperation that the company believes in emphasize the behavior and conduct expected of the employee

insubordination at work examples how to address it ahr letter - Aug 23 2023

struggling to manage insubordination in the workstation learn how for prevent and address defiant behavior in a swift and effective way

insubordination at work examples how at address it - Feb 17 2023

may 26 2023 struggling in manage insubordinate in the workplace learn instructions to prevent and address insubordinate behavior in a swift and effective way

warning letter to employee for insubordination copy sampl - May 20 2023

dec 13 2017 here are some sample warning letters for insubordination to let you know about the wording and rules for writing this type of serious warning letter letter samples 1 i am writing this letter to address a serious matter of insubordination that has been brought to my attention by your supervisor

how to write a disciplinary letter for insubordination bizfluent - May 08 2022

gather details regarding the incidents of insubordination so it can describe them accurately in the letter focused on an facts inclusion what been spoken real that actions occurred be careful to concentrate with on the behaviors and not identity issues as to

how to write a letter of reprimand with examples indeed - Dec 15 2022

dec 29 2022 example letter of reprimand for breach of confidentiality here s an example letter of reprimand addressing an employee for breaching company confidentiality dorothea adams seattle washington 98128 425 456 0490 dadams email com

feb 3 2023 anthony jones Bellevue Washington 98025 425 402 5549 anthony jones email com mr anthony

employee discipline examples how to handle them how to - Apr 07 2022

jan 16 2023 insubordination letters serve two purposes letting employee get when they have erred press protecting businesses against wrongful termination or discrimination lawsuits scholarship should be provide documentation about poor workplace behavior while also outlining possible consequences for the employees

free disciplinary letter template download in word google - Jul 10 2022

some of the reasons for giving an employee a disciplinary letter include 1 gross misconduct 2 poor performance 3 unprofessional behavior 4 insubordination

[hino pdf manuals for trucks besttruckpdfmanuals.com](http://hino.pdfmanuals.com) - Jul 23 2022

web hino truck pdf service manuals free download electric wiring diagrams fault codes dtc hino trucks history

hino 500 electrical schematics pdf wiring scan - Oct 06 2023

web jul 2 2023 the hino 500 electrical schematics pdf is a powerful tool for anyone who needs to understand and troubleshoot the electrical components of their hino truck this comprehensive guide includes detailed diagrams and instructions that will help you identify and repair any issues related to the wiring of your vehicle

hino service and repair manuals - Sep 05 2023

web hino trucks publications available online manuals and cd roms factory repair manuals owner manuals etms wiring diagrams body builder manuals collision books tsbs service information and diagnostic equipment are all available from our on demand online center for publications

hino 500 ranger owner s service and workshop manuals pdf - Sep 24 2022

web sep 15 2022 the hino 500 truck belongs to the class of medium duty trucks in the commercial segment with a gross weight of up to 12 tons the model is produced by a subsidiary of the famous toyota brand pdf manuals for toyota forklift moreover the hino 500 is currently the most famous japanese car in its class

hino wiring diagram wiring diagram - May 01 2023

web aug 22 2015 hino wiring diagrams are the diagrams used to understand how the wiring system of a vehicle works understanding these diagrams can be vital for ensuring that you get the maximum out of your vehicle both in terms of performance and safety

hino 500 electrical schematics diagram circuit - Mar 19 2022

web nov 22 2022 the main components of a hino 500 electrical schematic include the switch diagram power source diagram circuit protection diagram and wiring diagram each of these components contains information about the operation and layout of the electrical system of your hino 500

wiring diagram hino truck wiring digital and schematic - May 21 2022

web feb 1 2022 wiring diagrams show the layout of the different components and wires in the truck they are usually represented by symbols such as circles squares or arrows that connect the different components the components can include power sources switches fuses and relays

hino truck service manuals fault codes and wiring diagrams - Nov 26 2022

web rayong 21180 thailand nice to contact you pls quote us price for manual service hydraulic for kato crane kr 50 h l sl600 asap send by pdf file asap rayong 21180 thailand the history of the japanese company hino dates back to 1910 when tokyo gas industry co ltd was established to manufacture light trucks

hino truck service manuals fault codes and wiring diagrams - Apr 19 2022

web hino truck service manuals fault codes and wiring diagrams hino trucks 2011 2013 quick reference chart hino trucks

2011 2013 quick reference chart hino trucks 2011 2013 quick reference ch adobe acrobat document 1 9 mb hino 300 series body mounting manual hino 300 series body mounting manual hino 300 series body

hino truck full models 2000 2018 wiring diagrams dvd pdf - Aug 24 2022

web hino truck 2000 04 fa fb series wiring diagrams en pdf hino truck 2003 04 fd fe sg series wiring diagrams en pdf hino truck 2005 06 145 165 185 238 268 338 series wiring diagrams en pdf hino truck 2007 145 165 185 238 268 338 series wiring diagrams en pdf

hino trucks workshop repair manuals pdf truck pdf - Jun 02 2023

web oct 3 2021 ecu external wiring diagram download hino plan de mantenimiento serie 500 download hino manual book download hino 300 s1 yxe16c manual electrical wiring diagrams download hino 300 series body mounting manual download hino 700 brake direccion suspension workshop manual download hino

[hino trucks owner s workshop and service manuals pdf](#) - Jul 03 2023

web sep 28 2018 hino trucks155dc 195 195h 238 258lp 268 338 358 fc 1022 rb14 xl8 operators service and maintenance manuals error codes list dtc spare parts manuals catalogues wiring diagrams schematics free download pdf

hino electrical wiring diagram pdf electrical connector - Aug 04 2023

web hino electrical wiring diagram pdf electrical connector electrical wiring fm 1 2010 2019 2020 2021 2022 2023 truckmanualshub com this workshop manual has been prepared to provide information on electrical circuits

hino truck service manuals fault codes and wiring diagrams - Jun 21 2022

web mar 3 2023 8 hours ago hino truck service manuals fault codes and wiring diagrams what inside hino 155dc 2019 technical specifications hino 195h 2016 technical specifications hino 195h 2020 technical specifications hino 2

2011 2013 hino trucks workshop manual electrical wiring diagrams - Dec 28 2022

web 2010 hino trucks workshop manual electrical wiring diagrams this workshop manual has been prepared to provide information regarding repair procedures on hino trucks applicable for hino 145 165 185 238 258lp 268 338 series equipped with 2011 2013 hino trucks workshop manual electrical wiring diagrams available for free

hino truck 500 series oem wiring electrical diagram manual - Mar 31 2023

web hino truck 500 series oem wiring diagram and electrical circuits workshop repair service manual version this workshop manual has been prepared to provide information on electrical circuits for the following hino vehicles applicable for fc6j fc9j fd8j gd8j fg8j gh8j fl8j fm8j fm1a fm2p ft8j

hino trucks service repair manuals free pdf - Feb 27 2023

web free online pdf for hino trucks workshop manuals hino trucks oem repair manuals hino trucks shop manuals hino trucks electrical wiring diagrams ewd free online car manuals 268 338 358 workshop manual incl wiring diagram this workshop

manual has been prepared to provide information regarding repair procedures on hino

hino truck 2000 2018 wiring diagrams dvd pdf en - Oct 26 2022

web description hino truck 2000 2018 wiring diagrams dvd pdf en size 893 mb languages en format pdf brand hino types of vehicle truck types of manuals wiring diagrams quantity of cd 1 dvd os all windows if you still have questions about our products don t hesitate to contact us support servicepartmanuals com cheapest

wiring diagram hino truck wiring diagram - Feb 15 2022

web dec 2 2017 wiring diagram hino truck by admin december 2 2017 0 comment the benefits of wiring diagram hino trucks having a wiring diagram for your hino truck makes all types of repairs troubleshooting and maintenance much easier

hino fd1j gd1j fg1j fl1j fm1j truck workshop service - Jan 29 2023

web oct 31 2023 in this workshop manual you will find detailed step by step instructions illustrations specifications and diagrams view the hino fd1j gd1j fg1j fl1j fm1j series truck workshop manual on your computer or print off detailed information to service or repair your truck to the manufacturer s standards

sanjeev gupta electromagnetic field theory electrical - Aug 14 2023

web electromagnetic field theory book by sanjeev in pdf you can also find and download for free a free online manual notices with beginner and intermediate downloads

sanjeev gupta electromagnetic field theory electrical copy - Mar 09 2023

web jul 4 2023 we allow sanjeev gupta electromagnetic field theory and numerous book collections from fictions to scientific research in any way in the middle of them is this

sanjeev gupta electromagnetic field theory copy uniport edu - Oct 24 2021

a course in electromagnetic field theory - May 11 2023

web field theory quantum mechanics group theory and the theory of functional integration plasma physics index mar 23 2020 electromagnetic fields in biology and medicine

sanjeev gupta electromagnetic field theory electrical - Jun 12 2023

web right here we have countless book sanjeev gupta electromagnetic field theory and collections to check out we additionally give variant types and in addition to type of the

sanjeev gupta electromagnetic field theory electrical copy - Mar 29 2022

web jun 28 2023 sanjeev gupta electromagnetic field theory 2 8 downloaded from uniport edu ng on june 28 2023 by guest encompassing geology geophysics mining

sanjeevguptaelectromagneticfieldtheory - Aug 02 2022

web mar 6 2023 sanjeev gupta electromagnetic field theory electrical 2 8 downloaded from uniport edu ng on march 6 2023 by guest advances in vlsi communication and
sanjeev gupta electromagnetic field theory imds ac id - Jan 27 2022

shubham electromagnetic field and theory by - Jan 07 2023

web extensive study guide covering the latest syllabus prescribed by ssc this guide from sanjeev gupta aiming to provide precise and exam oriented information which will act

sanjeev gupta electromagnetic field theory uniport edu - Nov 24 2021

pdf electromagnetic field theory fundamentals - Sep 15 2023

web electromagnetic field theory mar 29 2023 the comprehensive study of electric magnetic and combined fields is nothing but electromagnetic engineering along with

sanjeev gupta electromagnetic field theory pdf crm vasista - Oct 04 2022

web apr 10 2023 sanjeev gupta electromagnetic field theory electrical 2 9 downloaded from uniport edu ng on april 10 2023 by guest electromagnetic fields in electrical

electro magnetic field theory s k gupta amazon in books - Feb 08 2023

web electromagnetic field theory electromagnetic field theories for engineering electromagnetic fields energy and waves ssc selection posts phase ix

sanjeev gupta electromagnetic field theory electrical free pdf - Jul 01 2022

web sanjeev gupta electromagnetic field theory electrical author justus backhaus from network eve gd subject sanjeev gupta electromagnetic field theory electrical

sanjeev gupta electromagnetic field theory pdf - Apr 10 2023

web jan 1 2014 publisher krishan prakashan 1 january 2014 language english paperback 680 pages isbn 10 8182833779 isbn 13 978 8182833777 item

sanjeev gupta electromagnetic field theory pdf uniport edu - Nov 05 2022

web aug 9th 2023sanjeev arora m d project echo dr sanjeev arora is the project echo extension for community healthcare outcomes was developed to improve both

sanjeev gupta electromagnetic field theory copy uniport edu - Apr 29 2022

web jun 8 2023 sanjeev gupta electromagnetic field theory 1 10 downloaded from uniport edu ng on june 8 2023 by guest sanjeev gupta electromagnetic field theory

sanjeev gupta professor assistant phd st - Dec 06 2022

web feb 27 2023 sanjeev gupta electromagnetic field theory is available in our digital library an online access to it is set as public so you can get it instantly our digital library

sanjeev gupta electromagnetic field theory copy uniport edu - Dec 26 2021

electromagnetic field theory book by sanjeev in pdf thebookee net - Jul 13 2023

web merely said the sanjeev gupta electromagnetic field theory electrical is universally compatible with any devices to read mausam 2011 theory of superconductivity a s

sanjeevguptaelectromagneticfieldtheory download only - Sep 03 2022

web sanjeev gupta electromagnetic field theory 1 8 downloaded from uniport edu ng on may 2 2023 by guest sanjeev gupta electromagnetic field theory as recognized

sanjeev gupta electromagnetic field theory electrical - Feb 25 2022

web may 4 2023 sanjeev gupta electromagnetic field theory 1 8 downloaded from uniport edu ng on may 4 2023 by guest sanjeev gupta electromagnetic field theory

sanjeev gupta electromagnetic field theory electrical copy - May 31 2022

web sep 12 2023 sanjeev gupta electromagnetic field theory author imds ac id 2023 09 12 07 03 28 subject sanjeev gupta electromagnetic field theory keywords