

Other Books of Interest

S.K. Khanna - G.B.G. Jaisi
Highway Engineering

Highway Materials and Pavement Testing

Y.R. Nagraji - A Veeraraguan
Surveying Vol I

Asok K. Jain
Strength of Materials and Structural Analysis
Reinforced Concrete (Limit State Design)

Advanced Structural Analysis
(with Finite Element and Computer Applications)

Harur Singh - Shambhu Prakash
Soil Mechanics & Foundation Engineering

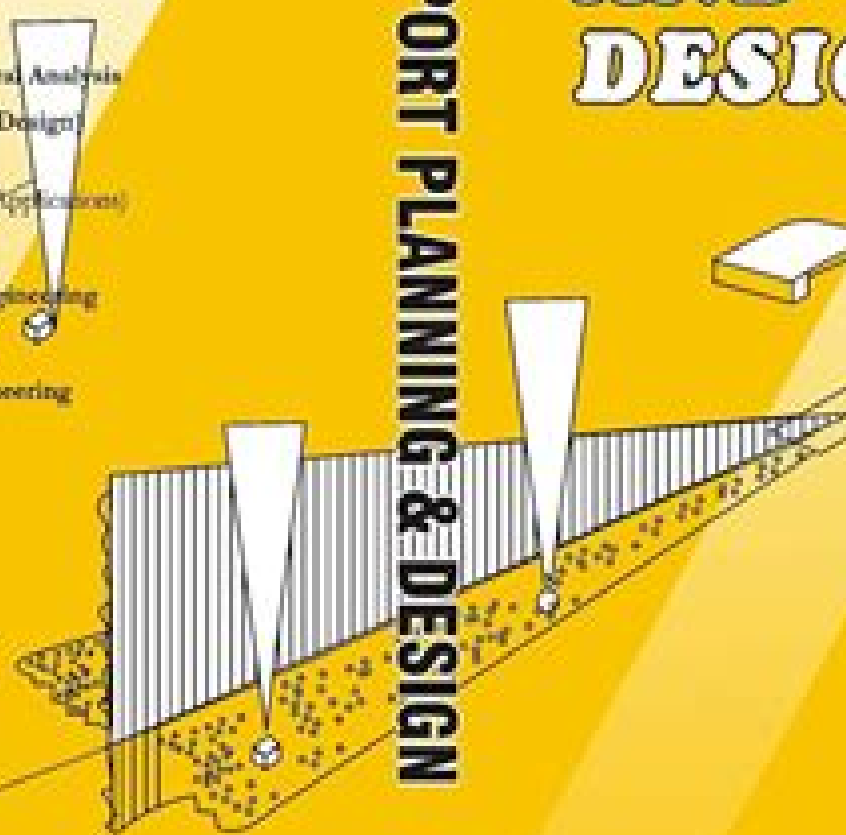
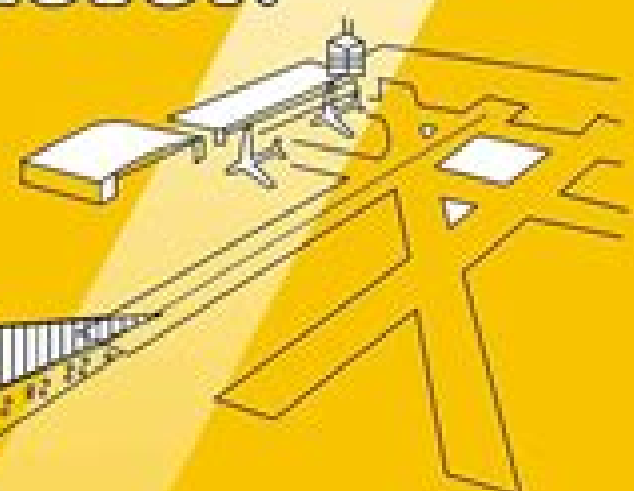
Harur Singh
Fundamentals of Irrigation Engineering

Gunde Mangrao
Engineering Fluid Mechanics

Khanna
Arora
Jain

AIRPORT PLANNING & DESIGN

**AIRPORT
PLANNING
AND
DESIGN**



Rs. 150.00

ISBN 81-85240-68-X



S. K. Khanna - M. G. Arora - S. S. Jain

Airport Engineering By Khanna Arora Jain

S. K. Khanna



Airport Engineering By Khanna Arora Jain:

HPSC Exam PDF-Haryana Assistant Environmental Engineer Exam-Environmental Engineering Subject Only PDF eBook Chandresh Agrawal,Nandini Books,2024-05-09 SGN The HPSC Exam PDF Haryana Assistant Environmental Engineer Exam Environmental Engineering Subject Only PDF eBook Covers Objective Questions With Answers **TNPSC Exam PDF-Tamilnadu Combined Engineering Services Examination Assistant Engineer Exam: Environmental Engineering Subject eBook-PDF** Chandresh Agrawal,Nandini Books,2025-06-27 SGN The TNPSC Exam PDF Tamilnadu Combined Engineering Services Examination Assistant Engineer Exam Environmental Engineering Subject eBook PDF Covers Objective Questions With Answers **GPSC Exam PDF-Gujarat Technical Advisor (Environment) Exam-Environment Science & Management Subject Practice Sets eBook** Chandresh Agrawal,Nandini Books,2024-08-17 SGN The GPSC Exam PDF Gujarat Technical Advisor Environment Exam Environment Science Management Subject Practice Sets eBook Covers Objective Questions With Answers RSPCB Exam PDF- Rajasthan State Pollution Control Board Jr. Environmental Engineer Exam-Environmental Engineering Subject Practice Sets PDF eBook Chandresh Agrawal,Nandini Books,2025-06-27 SGN The RSPCB Exam PDF Rajasthan State Pollution Control Board Jr Environmental Engineer Exam Environmental Engineering Subject Practice Sets PDF eBook Covers Objective Questions With Answers Bulletin of the Institution of Engineers (India). Institution of Engineers (India),1979 **Mechanical Vibrations: M.K.S. System** G. K. Grover,1972 The Indian Publisher and Bookseller ,1973 **Books from India** ,1970 *Indian Books in Print* ,2001 **Airport** S. K. Khanna,M. G. Arora,1976 *Airport Planning and Design* S. K. Khanna,M. G. Arora,1969 *Books of India* ,1976 International Books in Print ,1987 Indian Books ,1969 *HRIS Abstracts* National Research Council (U.S.). Highway Research Board,1982 *Airport Engineering* Norman J. Ashford,Saleh Mumayiz,Paul H. Wright,2011-04-26 First published in 1979 Airport Engineering by Ashford and Wright has become a classic textbook in the education of airport engineers and transportation planners Over the past twenty years construction of new airports in the US has waned as construction abroad boomed This new edition of Airport Engineering will respond to this shift in the growth of airports globally with a focus on the role of the International Civil Aviation Organization ICAO while still providing the best practices and tested fundamentals that have made the book successful for over 30 years **The Times of India Directory and Year Book Including Who's who** Sir Stanley Reed,1961 Issues for 1919 47 include Who s who in India 1948 Who s who in India and Pakistan *Airport Planning and Design* S. K. Khanna,1990 **Airport Engineering** , Cumulative Index to ASCE Publications American Society of Civil Engineers,1975

Right here, we have countless books **Airport Engineering By Khanna Arora Jain** and collections to check out. We additionally pay for variant types and afterward type of the books to browse. The normal book, fiction, history, novel, scientific research, as skillfully as various further sorts of books are readily easy to get to here.

As this Airport Engineering By Khanna Arora Jain, it ends going on being one of the favored book Airport Engineering By Khanna Arora Jain collections that we have. This is why you remain in the best website to look the unbelievable book to have.

https://automacao.clinicaideal.com/results/browse/HomePages/Top_Ai_Tools_For_Content_Creators_Ideas_For_Beginners.pdf

Table of Contents Airport Engineering By Khanna Arora Jain

1. Understanding the eBook Airport Engineering By Khanna Arora Jain
 - The Rise of Digital Reading Airport Engineering By Khanna Arora Jain
 - Advantages of eBooks Over Traditional Books
2. Identifying Airport Engineering By Khanna Arora Jain
 - Exploring Different Genres
 - Considering Fiction vs. Non-Fiction
 - Determining Your Reading Goals
3. Choosing the Right eBook Platform
 - Popular eBook Platforms
 - Features to Look for in an Airport Engineering By Khanna Arora Jain
 - User-Friendly Interface
4. Exploring eBook Recommendations from Airport Engineering By Khanna Arora Jain
 - Personalized Recommendations
 - Airport Engineering By Khanna Arora Jain User Reviews and Ratings
 - Airport Engineering By Khanna Arora Jain and Bestseller Lists
5. Accessing Airport Engineering By Khanna Arora Jain Free and Paid eBooks
 - Airport Engineering By Khanna Arora Jain Public Domain eBooks

- Airport Engineering By Khanna Arora Jain eBook Subscription Services
- Airport Engineering By Khanna Arora Jain Budget-Friendly Options
- 6. Navigating Airport Engineering By Khanna Arora Jain eBook Formats
 - ePub, PDF, MOBI, and More
 - Airport Engineering By Khanna Arora Jain Compatibility with Devices
 - Airport Engineering By Khanna Arora Jain Enhanced eBook Features
- 7. Enhancing Your Reading Experience
 - Adjustable Fonts and Text Sizes of Airport Engineering By Khanna Arora Jain
 - Highlighting and Note-Taking Airport Engineering By Khanna Arora Jain
 - Interactive Elements Airport Engineering By Khanna Arora Jain
- 8. Staying Engaged with Airport Engineering By Khanna Arora Jain
 - Joining Online Reading Communities
 - Participating in Virtual Book Clubs
 - Following Authors and Publishers Airport Engineering By Khanna Arora Jain
- 9. Balancing eBooks and Physical Books Airport Engineering By Khanna Arora Jain
 - Benefits of a Digital Library
 - Creating a Diverse Reading Collection Airport Engineering By Khanna Arora Jain
- 10. Overcoming Reading Challenges
 - Dealing with Digital Eye Strain
 - Minimizing Distractions
 - Managing Screen Time
- 11. Cultivating a Reading Routine Airport Engineering By Khanna Arora Jain
 - Setting Reading Goals Airport Engineering By Khanna Arora Jain
 - Carving Out Dedicated Reading Time
- 12. Sourcing Reliable Information of Airport Engineering By Khanna Arora Jain
 - Fact-Checking eBook Content of Airport Engineering By Khanna Arora Jain
 - Distinguishing Credible Sources
- 13. Promoting Lifelong Learning
 - Utilizing eBooks for Skill Development
 - Exploring Educational eBooks

14. Embracing eBook Trends

- Integration of Multimedia Elements
- Interactive and Gamified eBooks

Airport Engineering By Khanna Arora Jain Introduction

In the digital age, access to information has become easier than ever before. The ability to download Airport Engineering By Khanna Arora Jain has revolutionized the way we consume written content. Whether you are a student looking for course material, an avid reader searching for your next favorite book, or a professional seeking research papers, the option to download Airport Engineering By Khanna Arora Jain has opened up a world of possibilities. Downloading Airport Engineering By Khanna Arora Jain provides numerous advantages over physical copies of books and documents. Firstly, it is incredibly convenient. Gone are the days of carrying around heavy textbooks or bulky folders filled with papers. With the click of a button, you can gain immediate access to valuable resources on any device. This convenience allows for efficient studying, researching, and reading on the go. Moreover, the cost-effective nature of downloading Airport Engineering By Khanna Arora Jain has democratized knowledge. Traditional books and academic journals can be expensive, making it difficult for individuals with limited financial resources to access information. By offering free PDF downloads, publishers and authors are enabling a wider audience to benefit from their work. This inclusivity promotes equal opportunities for learning and personal growth. There are numerous websites and platforms where individuals can download Airport Engineering By Khanna Arora Jain. These websites range from academic databases offering research papers and journals to online libraries with an expansive collection of books from various genres. Many authors and publishers also upload their work to specific websites, granting readers access to their content without any charge. These platforms not only provide access to existing literature but also serve as an excellent platform for undiscovered authors to share their work with the world. However, it is essential to be cautious while downloading Airport Engineering By Khanna Arora Jain. Some websites may offer pirated or illegally obtained copies of copyrighted material. Engaging in such activities not only violates copyright laws but also undermines the efforts of authors, publishers, and researchers. To ensure ethical downloading, it is advisable to utilize reputable websites that prioritize the legal distribution of content. When downloading Airport Engineering By Khanna Arora Jain, users should also consider the potential security risks associated with online platforms. Malicious actors may exploit vulnerabilities in unprotected websites to distribute malware or steal personal information. To protect themselves, individuals should ensure their devices have reliable antivirus software installed and validate the legitimacy of the websites they are downloading from. In conclusion, the ability to download Airport Engineering By Khanna Arora Jain has transformed the way we access information. With the convenience, cost-effectiveness, and accessibility it offers, free PDF downloads have

become a popular choice for students, researchers, and book lovers worldwide. However, it is crucial to engage in ethical downloading practices and prioritize personal security when utilizing online platforms. By doing so, individuals can make the most of the vast array of free PDF resources available and embark on a journey of continuous learning and intellectual growth.

FAQs About Airport Engineering By Khanna Arora Jain Books

How do I know which eBook platform is the best for me? Finding the best eBook platform depends on your reading preferences and device compatibility. Research different platforms, read user reviews, and explore their features before making a choice. Are free eBooks of good quality? Yes, many reputable platforms offer high-quality free eBooks, including classics and public domain works. However, make sure to verify the source to ensure the eBook credibility. Can I read eBooks without an eReader? Absolutely! Most eBook platforms offer webbased readers or mobile apps that allow you to read eBooks on your computer, tablet, or smartphone. How do I avoid digital eye strain while reading eBooks? To prevent digital eye strain, take regular breaks, adjust the font size and background color, and ensure proper lighting while reading eBooks. What the advantage of interactive eBooks? Interactive eBooks incorporate multimedia elements, quizzes, and activities, enhancing the reader engagement and providing a more immersive learning experience. Airport Engineering By Khanna Arora Jain is one of the best book in our library for free trial. We provide copy of Airport Engineering By Khanna Arora Jain in digital format, so the resources that you find are reliable. There are also many Ebooks of related with Airport Engineering By Khanna Arora Jain. Where to download Airport Engineering By Khanna Arora Jain online for free? Are you looking for Airport Engineering By Khanna Arora Jain PDF? This is definitely going to save you time and cash in something you should think about. If you trying to find then search around for online. Without a doubt there are numerous these available and many of them have the freedom. However without doubt you receive whatever you purchase. An alternate way to get ideas is always to check another Airport Engineering By Khanna Arora Jain. This method for see exactly what may be included and adopt these ideas to your book. This site will almost certainly help you save time and effort, money and stress. If you are looking for free books then you really should consider finding to assist you try this. Several of Airport Engineering By Khanna Arora Jain are for sale to free while some are payable. If you arent sure if the books you would like to download works with for usage along with your computer, it is possible to download free trials. The free guides make it easy for someone to free access online library for download books to your device. You can get free download on free trial for lots of books categories. Our library is the biggest of these that have literally hundreds of thousands of different products categories represented. You will also see that there are specific sites catered to different product types or categories, brands or niches related with Airport

Engineering By Khanna Arora Jain. So depending on what exactly you are searching, you will be able to choose e books to suit your own need. Need to access completely for Campbell Biology Seventh Edition book? Access Ebook without any digging. And by having access to our ebook online or by storing it on your computer, you have convenient answers with Airport Engineering By Khanna Arora Jain To get started finding Airport Engineering By Khanna Arora Jain, you are right to find our website which has a comprehensive collection of books online. Our library is the biggest of these that have literally hundreds of thousands of different products represented. You will also see that there are specific sites catered to different categories or niches related with Airport Engineering By Khanna Arora Jain So depending on what exactly you are searching, you will be able to choose ebook to suit your own need. Thank you for reading Airport Engineering By Khanna Arora Jain. Maybe you have knowledge that, people have search numerous times for their favorite readings like this Airport Engineering By Khanna Arora Jain, but end up in harmful downloads. Rather than reading a good book with a cup of coffee in the afternoon, instead they juggled with some harmful bugs inside their laptop. Airport Engineering By Khanna Arora Jain is available in our book collection an online access to it is set as public so you can download it instantly. Our digital library spans in multiple locations, allowing you to get the most less latency time to download any of our books like this one. Merely said, Airport Engineering By Khanna Arora Jain is universally compatible with any devices to read.

Find Airport Engineering By Khanna Arora Jain :

top ai tools for content creators ideas for beginners

[top entry level remote jobs ideas for remote workers](#)

[top blogging tips for beginners guide for busy professionals](#)

[top ai social media scheduler guide for dads](#)

top ai tools for teachers tips near me

top ai tools for content creators for stay at home moms

top evergreen content strategy for seniors

top ai tools for small business for beginners for freelance writers

[top ai slideshow maker guide for high school students](#)

[top ai tools for small business guide in 2025](#)

top ai side hustles ideas for students

top creator economy trends tips online

[top ai tools for students tips for us audience](#)

top ai tools for teachers tips for high school students

top-digital-nomad-visa-for-american-readers

Airport Engineering By Khanna Arora Jain :

how to write a good sentence lesson plan study com - Nov 14 2021

types of sentences lesson plan teacher jet - Aug 04 2023

web may 9 2019 with our sentence types lesson plan students learn about different types of sentences and how they are used in writing students practice identifying and using

types of sentences lesson plan - May 21 2022

web oct 6 2021 lesson planning of sentences october 6 2021 by lesson plan coaches lesson planning of identify and write declarative

3 types of sentences free pdf download learn bright - Jun 02 2023

web 1 4 1 1 5 1 a learning objectives students will be able to identify and create each of the four kinds of sentences

introduction 5 minutes write the names of each kind of sentence

detailed lesson plan in 4 kinds of sentences - Aug 24 2022

web this is a full lesson that is on different types of sentences and is about moving writing from one level to the next

four types of sentences detailed lesson plan for grade 10 - Jan 17 2022

types of sentences lesson plan for 2nd 5th grade - Jun 21 2022

web students create messages on valentines to practice using the four types of sentences interrogative declarative imperative and exclamatory while students learn sentence

types of sentences k5 learning - Jan 29 2023

web types of sentences lesson plan teaching resources tpt results for types of sentences lesson plan 15 000 results sort relevance view types of sentences

results for 4 types of sentences lesson plans tpt - Mar 19 2022

web use this lesson to introduce your class to four kinds of sentences and how understanding and using different types of sentences allows writers to control the tone of their

types of sentences lesson plan teaching resources tpt - Nov 26 2022

web a presentation of lesson there are four types of english sentence classified by their purpose declarative sentence statement interrogative sentence question imperative

types of sentences lesson plan education com - Dec 16 2021

types of sentences turtle diary lesson - May 01 2023

web types of sentences lesson plan length curriculum standards demonstrate command of the conventions of standard english grammar and usage when writing or materials

types of sentences lesson plan study com - Feb 27 2023

web types of sentences lesson plan lesson four types of sentences length 45 minutes age or grade level intended 5th grade academic standard s writing e l 5 5 6 2006

types of sentences lesson plan education com - Oct 06 2023

web use this lesson to introduce your class to four kinds of sentences and how understanding and using different types of sentences allows writers to control the tone of their sentences popular searches reading money fractions sight words multiplication

what kind of sentence is that lesson plan education com - Mar 31 2023

web an exclamatory sentence expresses strong feelings these sentences always end in an exclamation mark for example don t touch the stove stop being so loud hurry up

learning the types of sentences lesson plan activities and - Oct 26 2022

web this detailed lesson plan is designed to help students master the four types of sentences declarative interrogative imperative and exclamatory the lesson begins with a warm

sentence types free pdf download learn bright - Jul 03 2023

web types of sentences sentence games videos quizzes worksheets print add to fav rate 0 stars assign feedback sentence games view all a simple sentence is a group of

types of sentences lesson plan manchester university - Dec 28 2022

web sharpen those language usage skills by learning about the types of sentences these printables provide you with all of the tools you need to teach students about the four

lesson plan in english 7 4 types of sentences studocu - Sep 24 2022

web this types of sentences lesson plan is suitable for 2nd 5th grade in this language arts worksheet students practice their skills in writing and placing punctuation marks for

lesson plan of types of sentences lesson plan coaches - Sep 05 2023

web four different types of sentences interrogative declarative imperative and exclamatory background imperative exclamatory declarative interrogative english language arts

kinds of sentences their functions lesson plan - Apr 19 2022

web detailed lesson plan in english for grade 10 students inductive method i objectives at the end of the lesson the students should be able to a four types of sentences

types of sentences lesson plan grade 7 - Feb 15 2022

web in this lesson plan teachers will help students learn to identify types of sentence structure errors in an effort to improve their sentence writing skills an active game keeps students

sentence types mastery a fun filled learning journey - Jul 23 2022

web jan 3 2021 categories grade 10 tags kinds of sentences lesson plan grade 3 kinds of sentences lesson plan grade 7 lesson plan about types of sentences semi

les etrusques une civilisation retrouvée c e seminary fbny - Feb 26 2022

web les etrusques une civilisation retrouvée c e l Étrurie et les Étrusques 1 ptie les maremmes l ÿtrurie et les étrusques ou dix ans de fouilles dans les maremmes toscanes par a Noël des vergers matériaux pour l histoire primitive et naturelle de l homme histoire diplomatique des conclaves le monde romain

les etrusques une civilisation retrouvée by gaudio attilio - May 12 2023

web july 2nd 2019 les etrusques un peuple une civilisation dont ls légendes racontent qu ils venaient d asie mineure ils avaient leur propre alphabet et on retrouve des traces de cette civilisation dix siècles avant notre ère avant l avènement de rome la civilisation étrusque s étendait sur une bonne partie du nord de la botte

civilisation Étrusque encyclopédie de l histoire du monde - Jul 14 2023

web feb 24 2017 la civilisation étrusque s épanouit en italie centrale entre le 8e et le 3e siècle avant notre ère cette culture était réputée dans l antiquité pour ses riches ressources minérales et en tant que grande puissance commerciale méditerranéenne

etrusques lumière sur une civilisation antique mal connue - Sep 04 2022

web jun 26 2022 selon les dernières études les etrusques étaient originaires de la péninsule italienne

les etrusques une civilisation retrouvée c e pdf uniport edu - Apr 30 2022

web may 23 2023 like this les etrusques une civilisation retrouvée c e but end up in malicious downloads rather than reading a good book with a cup of tea in the afternoon instead they juggled with some harmful virus inside their computer les etrusques une civilisation retrouvée c e is available in our book collection an online access to it is set

Époque classique étrusque wikipédia - Nov 06 2022

web l époque classique est l une des périodes historiques de la civilisation étrusque située entre 470 et 350 environ elle fait suite à la période archaïque et précède la période hellénistique au v e siècle av j c les Étrusques

[portail Étrusques wikipédia](#) - Feb 09 2023

web le monde étrusque est une ancienne civilisation qui s'est développée dans le nord de la botte italienne pendant l'antiquité avant l'ascension du monde romain cette civilisation à la confluence des mondes grec et celtique a créé

[Étrusques qui étaient ils lieu caractéristiques art et plus](#) - Oct 05 2022

web les Étrusques étaient une civilisation qui a habité le centre de la péninsule italienne entre le viii^e et le iii^e siècle av c jusqu'à ce que son territoire soit conquis par l'expansion romaine environ en l'an 509 a c l'origine de cette ville ou son processus de peuplement dans le centre de l'Italie n'est pas connue

qui étaient les étrusques importante civilisation pré romaine - Mar 10 2023

web jul 22 2022 ce peuple de navigateurs et d'artisans s'est développé à partir du ix^e siècle avant j c et a connu son apogée entre le viii^e et le vi^e siècle avant j c selon les sources historiques ils étaient connus des grecs sous le nom de tyrrhenoï ou tyrrhéniens et des romains sous le nom de tusci ou etrusci

[les étrusques une civilisation retrouva c e ol wise edu](#) - Dec 27 2021

web les étrusques une civilisation retrouva c e downloaded from ol wise edu jo by guest talan logan histoire diplomatique des conclaves par f petruccelli della gattina presses univ limoges les Étrusques ont eu dès l'antiquité un si grand renom de magiciens qu'après la fin de leur

guerre Étrusque encyclopédie de l'histoire du monde - Jun 01 2022

web feb 15 2017 les armées étrusques se rangèrent du côté de Rome lors de la bataille de Talamone contre les Gaulois en 225 avant notre ère et bien que les anciennes cités étrusques aient pris la sage décision de rester fidèles à Rome lorsque Hannibal envahit l'Italie pendant la deuxième guerre punique 218-201 av j c de nombreuses villes du

[les étrusques et la méditerranée radio france](#) - Dec 07 2022

web nov 26 2013 emblématique de l'importance de la civilisation étrusque elle a occupé une place centrale en Italie et en Méditerranée tout au long du i^{er} millénaire avant j c ce sont ces quelque dix siècles d'histoire que l'exposition entend retracer elle montre comment des communautés éparses ont progressivement formé une cité comment

[histoire des Étrusques wikipédia](#) - Apr 11 2023

web l'histoire des Étrusques depuis la redécouverte de ce peuple au xv^e siècle n'a pas cessé d'alimenter des controverses dont l'une des plus importantes est sans conteste la problématique d'origines discutées depuis l'antiquité

[étrusques une civilisation de la méditerranée](#) - Jul 02 2022

web culturelle de ses occupants dès le vi^e s av j c dès la fin du vii^e e début du vi^e s av j c l'importation des principaux produits du commerce étrusque dans les sites indigènes saint blaise et grecs marseille du sud de la France témoigne d'une fréquentation commerciale régulière de ces territoires à partir des

etrusques une civilisation de la méditerranée nîmes - Aug 03 2022

web oct 23 2022 parmi l ensemble des civilisations méditerranéennes de l antiquité la population étrusque était l une des plus raffinées et fascinantes mais elle est pourtant aujourd hui l une des moins connues du grand public cette exposition vous invite à partir sur les traces de ce peuple antique particulier et très en avance sur son temps pendant

les etrusques une civilisation retrouvée by gaudio attilio - Mar 30 2022

web july 2nd 2019 les etrusques un peuple une civilisation dont ls légendes racontent qu ils venaient d asie mineure ils avaient leur propre alphabet et on retrouve des traces de cette civilisation dix siècles avant notre ère avant l avènement de

les Étrusques une mystérieuse civilisation pré romaine - Jun 13 2023

web feb 28 2023 les romains les appelaient etrusci ou tusci à l origine du nom de l actuelle région italienne de toscane À son apogée entre le viiie et le ve siècle av j c l Étrurie dominait alors le latium la campanie et la plaine du pô avant d être entièrement soumise à rome au iiie siècle av j c les Étrusques furent d habiles

Étrusques wikipédia - Aug 15 2023

web les cités étrusques forment à l origine une confédération de 12 villes la dodécapole à laquelle se seraient ajoutées par la suite deux autres confédérations la dodécapole padaneau nord et la dodécapole campanienne ainsi que plusieurs colonies ou comptoirsen ligurie en gaule cisalpineet en corse

les Étrusques et leur civilisation mystérieuse odysseum - Jan 08 2023

web mar 3 2021 petite histoire d une grande civilisation la question de l origine des etrusques a été longtemps débattue et ce débat a contribué à la fascination qu ils continuent d exercer l historien grec héraclote qui les appelle lydiens rapporte la légende de leur venue d orient

les etrusques une civilisation retrouva c e copy - Jan 28 2022

web 4 les etrusques une civilisation retrouva c e 2021 02 08 bonne partie de la plaine du pô au nord et de la campanie au sud et on n oubliera pas que trois rois étrusques au moins ont régné sur rome servius tullius et les tarquins ces derniers originaires de tarquinia

webasto diesel heater error codes pdf - Dec 27 2021

web webasto diesel heater error codes how to repair pentair master temp error e05 or e06 jan 01 2023 web nov 10 2021 error code 14 insufficient fuel supply blocked fuel flow lack of combustible

tech webasto fault code information sheet - Apr 11 2023

web fault code information sheet file name documentation heater serviceinfo heater at evo 40 55 pi170tp smtp diag info pdf category at evo 40 55 file size 70 25 kb

webasto technical services operating manuals - Mar 10 2023

web webasto technical services operating manuals below you can find different files and documents some of these documents are available in different languages if you cannot find the document in your language then you can choose another language these files and documents are available for download product type product

fault examples and explanations techwebasto - Feb 09 2023

web no start after 2 attempts to start f02 flame failure at least 3 f03 undervoltage or overvoltage f04 premature flame recognition f05 flame monitor petrol heater interrupt or short circuit

5 troubleshooting air top 2000 st techwebasto - Jul 02 2022

web if the heater is fitted with a combination timer an error code output will appear on the display of the timer after a fault occurs note the error code is output if the heater is fitted with a control element after an error has occurred by the switch on indicator error code indicator flashing

webasto heater manual pdf guides butler technik - Sep 04 2022

web webasto heater service manual pdf guides find technical support and official service manuals for webasto air heaters manual guides webasto water heater manual pdf guides and webasto controller installation operating instructions in our

webasto heater problem and fix youtube - Mar 30 2022

web nov 15 2020 our webasto air top evo 40 heater quit working so we had to perform a factory reset watch our attempt and fail before we finally get it right jump to 7 16 for exact reset instructions even

webasto heater fault codes a guide jpc direct - Aug 15 2023

web jul 27 2020 fault 07 f07 fuel pump this fault simply tells you that the fuel pump has a wiring open or short circuit or that the pump is faulty if you can't hear the pump clicking during the attempted heater start up you will need to check the wires and plugs from the heater right down to the fuel pump

operating instructions general information maintenance and webasto - Dec 07 2022

web fault codes on the display of the combination or standard digital timer webasto thermo comfort se postfach 1410 82199 gilching germany visitors address friedrichshafener str 9 82205 gilching germany internet webasto com the telephone number of each country can be found in the webasto service center leaflet or the website of the respective

webasto unicontrol troubleshooting fault code list butler - Aug 03 2022

web the heater will output a fault code on the control element if a fault occurs during heating mode pressing the quick start button confirms the error display an error that has occurred is shown on the control element display as txx

webasto diesel heater fault codes - Jan 28 2022

web webasto diesel heater fault codes fundamentals of automotive technology mar 30 2020 resource added for the automotive technology program 106023 mar 03 2023 diesel engine systems the rocket mass heater builder's guide jul 15

2021 home heating that's safe clean efficient and uses 70 to 90 percent less fuel than a typical

air top 3500 5000 st 5 troubleshooting important techwebasto - Jan 08 2023

web 5 1 general this section describes how to identify and deal with errors on the air top 3500 st and air top 5000 st heaters if a fault occurs an error code will be output in the display of the combination timer if the heater has a

webasto trouble shooting flow chart for heaters with the - Jun 01 2022

web the diesel burner's diesel fuel supply line repair if necessary 2 check the aqua hot's fuel filter for clogging replace if necessary 3 reattach diesel fuel return line 4 attempt heater restart no yes

description of the error codes webasto parking heaters altox - Jul 14 2023

web code description comments 01 defective control unit erase the error remove the lock on the heater and restart heater 02 no start 1 the reason for the air intake pipe or exhaust gases

webasto air top 2000st fault codes truckmanualshub com - Oct 05 2022

web aug 16 2018 webasto air top 2000st fault codes list webasto air top 2000st webasto air top 2000st dtcs fault code description f00 control block error incorrect setting of parameters f01 no start f02 flame breakage f03 low or high voltage f04 premature flame detection f05 flame detector breakage or short circuit gasoline only

webasto thermo top evo 4 5 water heater fault diagnostic - Feb 26 2022

web 1 repair rectify the original source fault 2 turn off the heater using the smart multicontrol 3 remove 20a fuse 4 wait 30 seconds 5 refit 20a fuse 6 wait 30 seconds 7 turn heater on using the smart multicontrol 8 remove 20a fuse between 3 and 10 seconds 9 wait 30 seconds 10 refit 20a fuse 11 turn off the heater using the smart multicontrol

webasto heater air top 2000st fault codes butler technik - Apr 30 2022

web air top 2000 st error code output if the heater is a timer on diway of timer after a fault troubleshooting note the is if the is with a after error has by 5 of fast flashing by a sequence pulses of flashes is the below exam fod d mash error f 00

webasto diesel heater isn't working traillite models - May 12 2023

web the heater has faulted too many times and gone into lock mode perform a full heater reset by removing all fuses for 30 seconds then re fitting them clear all the faults on the controller by resetting it then try running the heater again

operating instructions webasto - Nov 06 2022

web if an error occurs the heater outputs a fault code via the control element on control elements with display the fault codes f01 to f15 are output via the display the fault codes f16 to f19 are shown with on control elements without display the fault code is output by flashing pulses of the operating indicator

webasto fault codes with explanations truckmanualshub com - Jun 13 2023

web oct 4 2018 webasto heater webasto fault codes pdf download title file size download links webasto air top 2000 fault

codes pdf 917 5kb download webasto air top 2000s fault codes pdf 917 5kb download webasto air top 2000st fault codes pdf 621 4kb download webasto air top 3500 fault codes pdf 481 8kb download