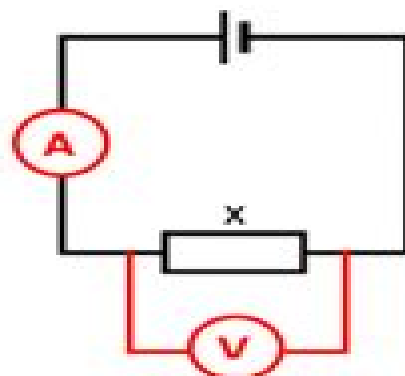


The diagram shows a simple series circuit.



(a) What is the name of the component labelled X?

[1]

Resistor

(b) Draw an ammeter *and* a voltmeter on the diagram to show how the current and voltage would be measured through this component. [2]

The following measurements were taken from the circuit.

Voltage (V)	Current (A)
0.0	0.0
2.0	1.0
4.0	2.0
6.0	3.0
8.0	4.0
12.0	6.0

Electrical Circuits Questions And Answers

G Orfield



Electrical Circuits Questions And Answers:

Electrical Circuits Analysis Questions and Answers PDF Arshad Iqbal, The Electrical Circuits Analysis Quiz Questions and Answers PDF Circuits Analysis Competitive Exam Questions Chapter 1 30 Practice Tests Class 8 12 Electronics Textbook Questions for Beginners includes revision guide for problem solving with hundreds of solved questions Electrical Circuits Analysis Questions and Answers PDF book covers basic concepts analytical and practical assessment tests Electrical Circuits Analysis Quiz PDF book helps to practice test questions from exam prep notes The Electrical Circuits Analysis Quiz Questions and Answers PDF e Book includes revision guide with verbal quantitative and analytical past papers solved tests Electrical Circuits Analysis Questions and Answers PDF Free download chapter 1 a book covers solved common questions and answers on chapters Applications of Laplace transform ac power ac power analysis amplifier and operational amplifier circuits analysis method applications of Laplace transform basic concepts basic laws capacitors and inductors circuit concepts circuit laws circuit theorems filters and resonance first order circuits Fourier series Fourier transform frequency response higher order circuits and complex frequency introduction to electric circuits introduction to Laplace transform magnetically coupled circuits methods of analysis mutual inductance and transformers operational amplifiers polyphase circuits second order circuits sinusoidal steady state analysis sinusoids and phasors three phase circuits two port networks waveform and signals tests for college and university revision guide Electronics Interview Questions and Answers PDF Download free eBook s sample covers beginner s solved questions textbook s study notes to practice online tests The Electrical Circuits Analysis Interview Questions Chapter 1 30 PDF book includes high school question papers to review practice tests for exams Electrical Circuits Analysis Practice Tests a textbook s revision guide with chapters tests for NEET Jobs Entry Level competitive exam Electrical Circuits Analysis Questions Bank Chapter 1 30 PDF book covers problem solving exam tests from electronics engineering textbook and practical eBook chapter wise as Chapter 1 AC Power Questions Chapter 2 AC Power Analysis Questions Chapter 3 Amplifier and Operational Amplifier Circuits Questions Chapter 4 Analysis Method Questions Chapter 5 Applications of Laplace Transform Questions Chapter 6 Basic Concepts Questions Chapter 7 Basic laws Questions Chapter 8 Capacitors and Inductors Questions Chapter 9 Circuit Concepts Questions Chapter 10 Circuit Laws Questions Chapter 11 Circuit Theorems Questions Chapter 12 Filters and Resonance Questions Chapter 13 First Order Circuits Questions Chapter 14 Fourier Series Questions Chapter 15 Fourier Transform Questions Chapter 16 Frequency Response Questions Chapter 17 Higher Order Circuits and Complex Frequency Questions Chapter 18 Introduction to Electric Circuits Questions Chapter 19 Introduction to Laplace Transform Questions Chapter 20 Magnetically Coupled Circuits Questions Chapter 21 Methods of Analysis Questions Chapter 22 Mutual Inductance and Transformers Questions Chapter 23 Operational Amplifiers Questions Chapter 24 Polyphase Circuits Questions Chapter 25 Second Order Circuits Questions Chapter 26 Sinusoidal Steady State Analysis Questions Chapter 27 Sinusoids and Phasors Questions Chapter 28 Three Phase

circuits Questions Chapter 29 Two Port Networks Questions Chapter 30 Waveform and Signals Questions The AC Power Quiz Questions PDF e Book Chapter 1 interview questions and answers on Apparent power and power factor applications average or real power complex power complex power apparent power and power triangle effective or RMS value exchange of energy between inductor and capacitor instantaneous and average power maximum power transfer power factor correction power factor improvement power in sinusoidal steady state power in time domain and reactive power The AC Power Analysis Quiz Questions PDF e Book Chapter 2 interview questions and answers on Apparent power and power factor applications complex power effective or RMS value instantaneous and average power and power factor correction The Amplifier and Operational Amplifier Circuits Quiz Questions PDF e Book Chapter 3 interview questions and answers on Amplifiers introduction analog computers comparators differential and difference amplifier integrator and differentiator circuits inverting circuits low pass filters non inverting circuits operational amplifiers summing circuits and voltage follower The Analysis Method Quiz Questions PDF e Book Chapter 4 interview questions and answers on Branch current method maximum power transfer theorem mesh current method Millman s theorem node voltage method Norton s theorem superposition theorem and Thevenin s theorem The Applications of Laplace Transform Quiz Questions PDF e Book Chapter 5 interview questions and answers on Circuit analysis introduction network stability network synthesis and state variables The Basic Concepts Quiz Questions PDF e Book Chapter 6 interview questions and answers on Applications charge and current circuit elements power and energy system of units and voltage The Basic Laws Quiz Questions PDF e Book Chapter 7 interview questions and answers on Applications Kirchhoff s laws nodes branches and loops Ohm s law series resistors and voltage division The Capacitors and Inductors Quiz Questions PDF e Book Chapter 8 interview questions and answers on capacitors differentiator inductors integrator and resistivity The Circuit Concepts Quiz Questions PDF e Book Chapter 9 interview questions and answers on Capacitance inductance non linear resistors passive and active elements resistance sign conventions and voltage current relations The Circuit Laws Quiz Questions PDF e Book Chapter 10 interview questions and answers on Introduction to circuit laws Kirchhoff s current law and Kirchhoff s voltage law The Circuit Theorems Quiz Questions PDF e Book Chapter 11 interview questions and answers on Kirchhoff s law linearity property maximum power transfer Norton s theorem resistance measurement source transformation superposition and thevenin s theorem The Filters and Resonance Quiz Questions PDF e Book Chapter 12 interview questions and answers on Band pass filter and resonance frequency response half power frequencies high pass and low pass networks ideal and practical filters natural frequency and damping ratio passive and active filters The First Order Circuits Quiz Questions PDF e Book Chapter 13 interview questions and answers on Applications capacitor discharge in a resistor establishing a DC voltage across a capacitor introduction singularity functions source free RL circuit source free RC circuit source free RL circuit step and impulse responses in RC circuits step response of an RC circuit step response of an RL circuit transient analysis with PSPICE and transitions at switching time The Fourier

Series Quiz Questions PDF e Book Chapter 14 interview questions and answers on Applications average power and RMS values symmetry considerations and trigonometric Fourier series The Fourier transform Quiz Questions PDF e Book Chapter 15 interview questions and answers on applications The Frequency Response Quiz Questions PDF e Book Chapter 16 interview questions and answers on Active filters applications bode plots decibel scale introduction passive filters scaling series resonance and transfer function The Higher Order Circuits and Complex Frequency Quiz Questions PDF e Book Chapter 17 interview questions and answers on Complex frequency generalized impedance in s domain parallel RLC circuit and series RLC circuit The Introduction to Electric Circuits Quiz Questions PDF e Book Chapter 18 interview questions and answers on Constant and variable function electric charge and current electric potential electric quantities and SI units energy and electrical power force work and power The Introduction to Laplace Transform Quiz Questions PDF e Book Chapter 19 interview questions and answers on Convolution integral The Magnetically Coupled Circuits Quiz Questions PDF e Book Chapter 20 interview questions and answers on Energy in coupled circuit ideal autotransformers ideal transformers linear transformers and mutual inductance The Methods of Analysis Quiz Questions PDF e Book Chapter 21 interview questions and answers on Applications circuit analysis with PSPICE mesh analysis mesh analysis with current sources nodal analysis nodal and mesh analysis by inception The Mutual Inductance and Transformers Quiz Questions PDF e Book Chapter 22 interview questions and answers on Analysis of coupling coil auto transformer conductivity coupled equivalent circuits coupling coefficient dot rule energy in a pair of coupled coils ideal transformer linear transformer and mutual inductance The Operational Amplifiers Quiz Questions PDF e Book Chapter 23 interview questions and answers on Cascaded op amp circuits difference amplifier ideal op amp instrumentation amplifier introduction inverting amplifier noninverting amplifier operational amplifiers and summing amplifier The Polyphaser Circuits Quiz Questions PDF e Book Chapter 24 interview questions and answers on Balanced delta connected load balanced wye connected load equivalent y and delta connections phasor voltages two wattmeter method three phase power three phase systems two phase systems unbalanced delta connected load unbalanced y connected load wye and delta systems The Second Order Circuits Quiz Questions PDF e Book Chapter 25 interview questions and answers on Second order op amp circuits applications duality introduction and source free series RLC circuit The Sinusoidal Steady State Analysis Quiz Questions PDF e Book Chapter 26 interview questions and answers on Element responses impedance and admittance mesh analysis nodal analysis op amp ac circuits oscillators phasors voltage and current division in frequency domain The Sinusoids and Phasors Quiz Questions PDF e Book Chapter 27 interview questions and answers on Applications impedance and admittance impedance combinations introduction phasor relationships for circuit elements phasors and sinusoids The Three Phase Circuits Quiz Questions PDF e Book Chapter 28 interview questions and answers on Applications balanced delta delta connection balanced three phase voltages balanced wye delta connection balanced wye wye connection power in balanced system and un balanced three phase system The Two

Port Networks Quiz Questions PDF e Book Chapter 29 interview questions and answers on Admittance parameters g parameters h parameters hybrid parameters impedance parameters interconnection of networks interconnection of two port networks introduction π equivalent t parameters terminals and ports transmission parameters two port network y parameters and z parameters The Waveform and Signals Quiz Questions PDF e Book Chapter 30 interview questions and answers on Average and effective RMS values combination of periodic functions exponential function non periodic functions periodic functions random signals sinusoidal functions time shift and phase shift trigonometric identities unit impulse function and unit step function

Electrical Circuit Analysis MCQ (Multiple Choice Questions) Arshad Iqbal, The Electrical Circuit Analysis Multiple Choice Questions MCQ Quiz with Answers PDF Electrical Circuit Analysis MCQ PDF Download Quiz Questions Chapter 1 30 Practice Tests with Answer Key Electronics Questions Bank MCQs Notes includes revision guide for problem solving with hundreds of solved MCQs Electrical Circuit Analysis MCQ with Answers PDF book covers basic concepts analytical and practical assessment tests Electrical Circuit Analysis MCQ PDF book helps to practice test questions from exam prep notes The Electrical Circuit Analysis MCQs with Answers PDF eBook includes revision guide with verbal quantitative and analytical past papers solved MCQs Electrical Circuit Analysis Multiple Choice Questions and Answers MCQs PDF Free download chapter 1 a book covers solved quiz questions and answers on chapters Applications of Laplace transform ac power ac power analysis amplifier and operational amplifier circuits analysis method applications of Laplace transform basic concepts basic laws capacitors and inductors circuit concepts circuit laws circuit theorems filters and resonance first order circuits Fourier series Fourier transform frequency response higher order circuits and complex frequency introduction to electric circuits introduction to Laplace transform magnetically coupled circuits methods of analysis mutual inductance and transformers operational amplifiers polyphase circuits second order circuits sinusoidal steady state analysis sinusoids and phasors three phase circuits two port networks waveform and signals tests for college and university revision guide Electrical Circuit Analysis Quiz Questions and Answers PDF free download eBook s sample covers beginner s solved questions textbook s study notes to practice online tests The book Electrical Circuit Analysis MCQs Chapter 1 30 PDF includes high school question papers to review practice tests for exams Electrical Circuit Analysis Multiple Choice Questions MCQ with Answers PDF digital edition eBook a study guide with textbook chapters tests for NEET Jobs Entry Level competitive exam Electrical Circuit Analysis Mock Tests Chapter 1 30 eBook covers problem solving exam tests from electronics engineering textbook and practical eBook chapter wise as Chapter 1 AC Power MCQ Chapter 2 AC Power Analysis MCQ Chapter 3 Amplifier and Operational Amplifier Circuits MCQ Chapter 4 Analysis Method MCQ Chapter 5 Applications of Laplace Transform MCQ Chapter 6 Basic Concepts MCQ Chapter 7 Basic laws MCQ Chapter 8 Capacitors and Inductors MCQ Chapter 9 Circuit Concepts MCQ Chapter 10 Circuit Laws MCQ Chapter 11 Circuit Theorems MCQ Chapter 12 Filters and Resonance MCQ Chapter 13 First Order Circuits MCQ Chapter 14 Fourier Series MCQ Chapter 15 Fourier

Transform MCQ Chapter 16 Frequency Response MCQ Chapter 17 Higher Order Circuits and Complex Frequency MCQ Chapter 18 Introduction to Electric Circuits MCQ Chapter 19 Introduction to Laplace Transform MCQ Chapter 20 Magnetically Coupled Circuits MCQ Chapter 21 Methods of Analysis MCQ Chapter 22 Mutual Inductance and Transformers MCQ Chapter 23 Operational Amplifiers MCQ Chapter 24 Polyphase Circuits MCQ Chapter 25 Second Order Circuits MCQ Chapter 26 Sinusoidal Steady State Analysis MCQ Chapter 27 Sinusoids and Phasors MCQ Chapter 28 Three Phase circuits MCQ Chapter 29 Two Port Networks MCQ Chapter 30 Waveform and Signals MCQ The AC Power MCQ PDF e Book Chapter 1 practice test to solve MCQ questions on Apparent power and power factor applications average or real power complex power complex power apparent power and power triangle effective or RMS value exchange of energy between inductor and capacitor instantaneous and average power maximum power transfer power factor correction power factor improvement power in sinusoidal steady state power in time domain and reactive power The AC Power Analysis MCQ PDF e Book Chapter 2 practice test to solve MCQ questions on Apparent power and power factor applications complex power effective or RMS value instantaneous and average power and power factor correction The Amplifier and Operational Amplifier Circuits MCQ PDF e Book Chapter 3 practice test to solve MCQ questions on Amplifiers introduction analog computers comparators differential and difference amplifier integrator and differentiator circuits inverting circuits low pass filters non inverting circuits operational amplifiers summing circuits and voltage follower The Analysis Method MCQ PDF e Book Chapter 4 practice test to solve MCQ questions on Branch current method maximum power transfer theorem mesh current method Millman s theorem node voltage method Norton s theorem superposition theorem and Thevenin s theorem The Applications of Laplace Transform MCQ PDF e Book Chapter 5 practice test to solve MCQ questions on Circuit analysis introduction network stability network synthesis and state variables The Basic Concepts MCQ PDF e Book Chapter 6 practice test to solve MCQ questions on Applications charge and current circuit elements power and energy system of units and voltage The Basic Laws MCQ PDF e Book Chapter 7 practice test to solve MCQ questions on Applications Kirchhoff s laws nodes branches and loops Ohm s law series resistors and voltage division The Capacitors and Inductors MCQ PDF e Book Chapter 8 practice test to solve MCQ questions on capacitors differentiator inductors integrator and resistivity The Circuit Concepts MCQ PDF e Book Chapter 9 practice test to solve MCQ questions on Capacitance inductance non linear resistors passive and active elements resistance sign conventions and voltage current relations The Circuit Laws MCQ PDF e Book Chapter 10 practice test to solve MCQ questions on Introduction to circuit laws Kirchhoff s current law and Kirchhoff s voltage law The Circuit Theorems MCQ PDF e Book Chapter 11 practice test to solve MCQ questions on Kirchhoff s law linearity property maximum power transfer Norton s theorem resistance measurement source transformation superposition and the venin s theorem The Filters and Resonance MCQ PDF e Book Chapter 12 practice test to solve MCQ questions on Band pass filter and resonance frequency response half power frequencies high pass and low pass networks ideal and practical filters natural frequency and

damping ratio passive and active filters The First Order Circuits MCQ PDF e Book Chapter 13 practice test to solve MCQ questions on Applications capacitor discharge in a resistor establishing a DC voltage across a capacitor introduction singularity functions source free RL circuit source free RC circuit source free RL circuit step and impulse responses in RC circuits step response of an RC circuit step response of an RL circuit transient analysis with PSPICE and transitions at switching time The Fourier Series MCQ PDF e Book Chapter 14 practice test to solve MCQ questions on Applications average power and RMS values symmetry considerations and trigonometric Fourier series The Fourier transform MCQ PDF e Book Chapter 15 practice test to solve MCQ questions on applications The Frequency Response MCQ PDF e Book Chapter 16 practice test to solve MCQ questions on Active filters applications bode plots decibel scale introduction passive filters scaling series resonance and transfer function The Higher Order Circuits and Complex Frequency MCQ PDF e Book Chapter 17 practice test to solve MCQ questions on Complex frequency generalized impedance in s domain parallel RLC circuit and series RLC circuit The Introduction to Electric Circuits MCQ PDF e Book Chapter 18 practice test to solve MCQ questions on Constant and variable function electric charge and current electric potential electric quantities and SI units energy and electrical power force work and power The Introduction to Laplace Transform MCQ PDF e Book Chapter 19 practice test to solve MCQ questions on Convolution integral The Magnetically Coupled Circuits MCQ PDF e Book Chapter 20 practice test to solve MCQ questions on Energy in coupled circuit ideal autotransformers ideal transformers linear transformers and mutual inductance The Methods of Analysis MCQ PDF e Book Chapter 21 practice test to solve MCQ questions on Applications circuit analysis with PSPICE mesh analysis mesh analysis with current sources nodal analysis nodal and mesh analysis by inception The Mutual Inductance and Transformers MCQ PDF e Book Chapter 22 practice test to solve MCQ questions on Analysis of coupling coil auto transformer conductivity coupled equivalent circuits coupling coefficient dot rule energy in a pair of coupled coils ideal transformer linear transformer and mutual inductance The Operational Amplifiers MCQ PDF e Book Chapter 23 practice test to solve MCQ questions on Cascaded op amp circuits difference amplifier ideal op amp instrumentation amplifier introduction inverting amplifier noninverting amplifier operational amplifiers and summing amplifier The Polyphaser Circuits MCQ PDF e Book Chapter 24 practice test to solve MCQ questions on Balanced delta connected load balanced wye connected load equivalent y and delta connections phasor voltages the two wattmeter method three phase power three phase systems two phase systems unbalanced delta connected load unbalanced y connected load wye and delta systems The Second Order Circuits MCQ PDF e Book Chapter 25 practice test to solve MCQ questions on Second order op amp circuits applications duality introduction and source free series RLC circuit The Sinusoidal Steady State Analysis MCQ PDF e Book Chapter 26 practice test to solve MCQ questions on Element responses impedance and admittance mesh analysis nodal analysis op amp ac circuits oscillators phasors voltage and current division in frequency domain The Sinusoids and Phasors MCQ PDF e Book Chapter 27 practice test to solve MCQ questions on Applications impedance and

admittance impedance combinations introduction phasor relationships for circuit elements phasors and sinusoids The Three Phase Circuits MCQ PDF e Book Chapter 28 practice test to solve MCQ questions on Applications balanced delta delta connection balanced three phase voltages balanced wye delta connection balanced wye wye connection power in balanced system and un balanced three phase system The Two Port Networks MCQ PDF e Book Chapter 29 practice test to solve MCQ questions on Admittance parameters g parameters h parameters hybrid parameters impedance parameters interconnection of networks interconnection of two port networks introduction pi equivalent t parameters terminals and ports transmission parameters two port network y parameters and z parameters The Waveform and Signals MCQ PDF e Book Chapter 30 practice test to solve MCQ questions on Average and effective RMS values combination of periodic functions exponential function non periodic functions periodic functions random signals sinusoidal functions time shift and phase shift trigonometric identities unit impulse function and unit step function

Questions and Answers about Electrical Apparatus William Brasher Clayton, James Watt Craig, 1909 2016 / 2017 ASVAB For Dummies with Online Practice Rod Powers, 2016-06-20 7 online practice tests one year access to six full length ASVAB practice exams and one AFQT exam Cover

2020 / 2021 ASVAB For Dummies with Online Practice, Book + 7 Practice Tests Online + Flashcards + Video Angie Papple Johnston, 2020-04-07 Ready to ace the ASVAB Dummies can help Year after year ASVAB For Dummies has been the 1 ASVAB test prep book on the market And now it s expanded and improved for 2020 2021 Packed with plenty of practice questions practice tests flashcards and videos 2020 2021 ASVAB For Dummies provides an in depth review of every subtest strategy cheat sheets proven study tips and test taking tactics Go online to find six full length ASVAB practice tests and one AFQT practice test instructional videos and hundreds of flashcards to help you prepare for exam day Earn your highest score and qualify for the military job you want Boost your math science and English performance Review all nine subject areas in advance of test day View free online videos hosted by the author Quiz yourself with hundreds of flashcards Get the latest information with completely updated Auto Shop and Mechanical Comprehension content If you re a military hopeful looking to set yourself up for the best career possible this ultimate ASVAB prep package is the key to unlocking your full potential

Computer Simulated Experiments for Electric Circuits Using Electronics Workbench Richard Henry Berube, 2000 This laboratory manual uses Electronics Workbench to simulate actual lab experiments on a computer Berube Community College of Rhode Island designed the experiments to help reinforce the classroom theory in a dc and ac electric circuits course including discussions of nodal voltage circuit analy *Computer Simulated Experiments for Electric Circuits Using Electronics Workbench Multisim* Richard Henry Berube, 2004 For courses in Electric Circuits This unique and innovative laboratory manual helps students learn and understand circuit analysis concepts by using Electronic Workbench software to simulate actual laboratory experiments on a computer Students work with circuits drawn on the computer screen and with simulated instruments that act like actual laboratory instruments Circuits can be modified easily with on screen editing and

analysis results provide fast accurate feedback Hands on in approach throughout in both interactive experiments and a series of questions about the results of each experiment it is more cost effective safer and more thorough and efficient than using hardwired experiments This lab manual can be sold for use with any DC AC text Note This book no longer comes with a CD Any reference to a CD within the book is out of date and will be updated on our next printing The information from the CD is available online http://media.pearsoncmg.com/ph_chet_chet_electronics_student_1 Click on Older Titles

The Electrical World ,1895 **Electricity and Engineering** ,1914 **Electrical Engineering** ,1914 **Circuit Analysis (for Anna University)** Gnanasivam, **Electrical World** ,1891 *Electric Circuits* David A. Bell,1994 **Electric Circuit Theory & Calculations** William Perren Maycock,1913 **Electrical Merchandising Week** ,1924 Includes annually 1961 Home goods data book **The Electrical Engineer** ,1898 **Electrical Merchandising** ,1924 How to be Brilliant at Electricity, Light and Sound , **The Elements of Electrical Engineering** Tyson Sewell,1905 **Western Electrician** ,1905

This book delves into Electrical Circuits Questions And Answers. Electrical Circuits Questions And Answers is a vital topic that needs to be grasped by everyone, ranging from students and scholars to the general public. This book will furnish comprehensive and in-depth insights into Electrical Circuits Questions And Answers, encompassing both the fundamentals and more intricate discussions.

1. This book is structured into several chapters, namely:

- Chapter 1: Introduction to Electrical Circuits Questions And Answers
- Chapter 2: Essential Elements of Electrical Circuits Questions And Answers
- Chapter 3: Electrical Circuits Questions And Answers in Everyday Life
- Chapter 4: Electrical Circuits Questions And Answers in Specific Contexts
- Chapter 5: Conclusion

2. In chapter 1, the author will provide an overview of Electrical Circuits Questions And Answers. This chapter will explore what Electrical Circuits Questions And Answers is, why Electrical Circuits Questions And Answers is vital, and how to effectively learn about Electrical Circuits Questions And Answers.

3. In chapter 2, this book will delve into the foundational concepts of Electrical Circuits Questions And Answers. The second chapter will elucidate the essential principles that must be understood to grasp Electrical Circuits Questions And Answers in its entirety.

4. In chapter 3, the author will examine the practical applications of Electrical Circuits Questions And Answers in daily life. This chapter will showcase real-world examples of how Electrical Circuits Questions And Answers can be effectively utilized in everyday scenarios.

5. In chapter 4, the author will scrutinize the relevance of Electrical Circuits Questions And Answers in specific contexts. The fourth chapter will explore how Electrical Circuits Questions And Answers is applied in specialized fields, such as education, business, and technology.

6. In chapter 5, this book will draw a conclusion about Electrical Circuits Questions And Answers. The final chapter will summarize the key points that have been discussed throughout the book.

The book is crafted in an easy-to-understand language and is complemented by engaging illustrations. This book is highly recommended for anyone seeking to gain a comprehensive understanding of Electrical Circuits Questions And Answers.

https://automacao.clinicaideal.com/public/publication/default.aspx/Affordable_Ai_Content_Repurposing_Step_By_Step.pdf

Table of Contents Electrical Circuits Questions And Answers

1. Understanding the eBook Electrical Circuits Questions And Answers
 - The Rise of Digital Reading Electrical Circuits Questions And Answers
 - Advantages of eBooks Over Traditional Books
2. Identifying Electrical Circuits Questions And Answers
 - Exploring Different Genres
 - Considering Fiction vs. Non-Fiction
 - Determining Your Reading Goals
3. Choosing the Right eBook Platform
 - Popular eBook Platforms
 - Features to Look for in an Electrical Circuits Questions And Answers
 - User-Friendly Interface
4. Exploring eBook Recommendations from Electrical Circuits Questions And Answers
 - Personalized Recommendations
 - Electrical Circuits Questions And Answers User Reviews and Ratings
 - Electrical Circuits Questions And Answers and Bestseller Lists
5. Accessing Electrical Circuits Questions And Answers Free and Paid eBooks
 - Electrical Circuits Questions And Answers Public Domain eBooks
 - Electrical Circuits Questions And Answers eBook Subscription Services
 - Electrical Circuits Questions And Answers Budget-Friendly Options
6. Navigating Electrical Circuits Questions And Answers eBook Formats
 - ePub, PDF, MOBI, and More
 - Electrical Circuits Questions And Answers Compatibility with Devices
 - Electrical Circuits Questions And Answers Enhanced eBook Features
7. Enhancing Your Reading Experience
 - Adjustable Fonts and Text Sizes of Electrical Circuits Questions And Answers
 - Highlighting and Note-Taking Electrical Circuits Questions And Answers
 - Interactive Elements Electrical Circuits Questions And Answers

8. Staying Engaged with Electrical Circuits Questions And Answers
 - Joining Online Reading Communities
 - Participating in Virtual Book Clubs
 - Following Authors and Publishers Electrical Circuits Questions And Answers
9. Balancing eBooks and Physical Books Electrical Circuits Questions And Answers
 - Benefits of a Digital Library
 - Creating a Diverse Reading Collection Electrical Circuits Questions And Answers
10. Overcoming Reading Challenges
 - Dealing with Digital Eye Strain
 - Minimizing Distractions
 - Managing Screen Time
11. Cultivating a Reading Routine Electrical Circuits Questions And Answers
 - Setting Reading Goals Electrical Circuits Questions And Answers
 - Carving Out Dedicated Reading Time
12. Sourcing Reliable Information of Electrical Circuits Questions And Answers
 - Fact-Checking eBook Content of Electrical Circuits Questions And Answers
 - Distinguishing Credible Sources
13. Promoting Lifelong Learning
 - Utilizing eBooks for Skill Development
 - Exploring Educational eBooks
14. Embracing eBook Trends
 - Integration of Multimedia Elements
 - Interactive and Gamified eBooks

Electrical Circuits Questions And Answers Introduction

In today's digital age, the availability of Electrical Circuits Questions And Answers books and manuals for download has revolutionized the way we access information. Gone are the days of physically flipping through pages and carrying heavy textbooks or manuals. With just a few clicks, we can now access a wealth of knowledge from the comfort of our own homes or on the go. This article will explore the advantages of Electrical Circuits Questions And Answers books and manuals for download, along with some popular platforms that offer these resources. One of the significant advantages of Electrical

Circuits Questions And Answers books and manuals for download is the cost-saving aspect. Traditional books and manuals can be costly, especially if you need to purchase several of them for educational or professional purposes. By accessing Electrical Circuits Questions And Answers versions, you eliminate the need to spend money on physical copies. This not only saves you money but also reduces the environmental impact associated with book production and transportation. Furthermore, Electrical Circuits Questions And Answers books and manuals for download are incredibly convenient. With just a computer or smartphone and an internet connection, you can access a vast library of resources on any subject imaginable. Whether you're a student looking for textbooks, a professional seeking industry-specific manuals, or someone interested in self-improvement, these digital resources provide an efficient and accessible means of acquiring knowledge. Moreover, PDF books and manuals offer a range of benefits compared to other digital formats. PDF files are designed to retain their formatting regardless of the device used to open them. This ensures that the content appears exactly as intended by the author, with no loss of formatting or missing graphics. Additionally, PDF files can be easily annotated, bookmarked, and searched for specific terms, making them highly practical for studying or referencing. When it comes to accessing Electrical Circuits Questions And Answers books and manuals, several platforms offer an extensive collection of resources. One such platform is Project Gutenberg, a nonprofit organization that provides over 60,000 free eBooks. These books are primarily in the public domain, meaning they can be freely distributed and downloaded. Project Gutenberg offers a wide range of classic literature, making it an excellent resource for literature enthusiasts. Another popular platform for Electrical Circuits Questions And Answers books and manuals is Open Library. Open Library is an initiative of the Internet Archive, a non-profit organization dedicated to digitizing cultural artifacts and making them accessible to the public. Open Library hosts millions of books, including both public domain works and contemporary titles. It also allows users to borrow digital copies of certain books for a limited period, similar to a library lending system. Additionally, many universities and educational institutions have their own digital libraries that provide free access to PDF books and manuals. These libraries often offer academic texts, research papers, and technical manuals, making them invaluable resources for students and researchers. Some notable examples include MIT OpenCourseWare, which offers free access to course materials from the Massachusetts Institute of Technology, and the Digital Public Library of America, which provides a vast collection of digitized books and historical documents. In conclusion, Electrical Circuits Questions And Answers books and manuals for download have transformed the way we access information. They provide a cost-effective and convenient means of acquiring knowledge, offering the ability to access a vast library of resources at our fingertips. With platforms like Project Gutenberg, Open Library, and various digital libraries offered by educational institutions, we have access to an ever-expanding collection of books and manuals. Whether for educational, professional, or personal purposes, these digital resources serve as valuable tools for continuous learning and self-improvement. So why not take advantage of the vast world of Electrical Circuits

Questions And Answers books and manuals for download and embark on your journey of knowledge?

FAQs About Electrical Circuits Questions And Answers Books

1. Where can I buy Electrical Circuits Questions And Answers books? Bookstores: Physical bookstores like Barnes & Noble, Waterstones, and independent local stores. Online Retailers: Amazon, Book Depository, and various online bookstores offer a wide range of books in physical and digital formats.
2. What are the different book formats available? Hardcover: Sturdy and durable, usually more expensive. Paperback: Cheaper, lighter, and more portable than hardcovers. E-books: Digital books available for e-readers like Kindle or software like Apple Books, Kindle, and Google Play Books.
3. How do I choose a Electrical Circuits Questions And Answers book to read? Genres: Consider the genre you enjoy (fiction, non-fiction, mystery, sci-fi, etc.). Recommendations: Ask friends, join book clubs, or explore online reviews and recommendations. Author: If you like a particular author, you might enjoy more of their work.
4. How do I take care of Electrical Circuits Questions And Answers books? Storage: Keep them away from direct sunlight and in a dry environment. Handling: Avoid folding pages, use bookmarks, and handle them with clean hands. Cleaning: Gently dust the covers and pages occasionally.
5. Can I borrow books without buying them? Public Libraries: Local libraries offer a wide range of books for borrowing. Book Swaps: Community book exchanges or online platforms where people exchange books.
6. How can I track my reading progress or manage my book collection? Book Tracking Apps: Goodreads, LibraryThing, and Book Catalogue are popular apps for tracking your reading progress and managing book collections. Spreadsheets: You can create your own spreadsheet to track books read, ratings, and other details.
7. What are Electrical Circuits Questions And Answers audiobooks, and where can I find them? Audiobooks: Audio recordings of books, perfect for listening while commuting or multitasking. Platforms: Audible, LibriVox, and Google Play Books offer a wide selection of audiobooks.
8. How do I support authors or the book industry? Buy Books: Purchase books from authors or independent bookstores. Reviews: Leave reviews on platforms like Goodreads or Amazon. Promotion: Share your favorite books on social media or recommend them to friends.
9. Are there book clubs or reading communities I can join? Local Clubs: Check for local book clubs in libraries or community centers. Online Communities: Platforms like Goodreads have virtual book clubs and discussion groups.

10. Can I read Electrical Circuits Questions And Answers books for free? Public Domain Books: Many classic books are available for free as they're in the public domain. Free E-books: Some websites offer free e-books legally, like Project Gutenberg or Open Library.

Find Electrical Circuits Questions And Answers :

affordable ai content repurposing step by step

affordable ai blog writer usa

advanced ugc rates usa guide for seniors

affordable affiliate marketing for bloggers ideas for introverts

affiliate marketing for bloggers guide in 2025

affordable ai logo maker guide for teens

affordable ai image generator ideas for teachers

advanced remote work productivity for beginners usa

affordable ai blog writer guide

advanced youtube automation channel tips online

affordable ai image upscaler guide from home

affordable ai content repurposing tips in usa

affordable ai image generator ideas for introverts

affordable ai code assistant ideas in the united states

~~advanced viral content ideas for content creators~~

Electrical Circuits Questions And Answers :

un viejo que leía novelas de amor de luis sepúlveda pdf - Sep 21 2023

web apr 16 2020 sinopsis antonio José Bolívar Proaño vive en el idilio un pueblo remoto en la región amazónica de los indios shuar mal llamados jíbaros y con ellos aprendió a conocer la selva y sus leyes a respetar a los animales y los indígenas que la pueblan pero también a cazar el temible tigrillo como ningún blanco jamás pudo hacerlo

un viejo que leía novelas de amor sepúlveda luis - Jul 07 2022

web spanischer text mit deutschen wörterklärungen b2 ger taschenbuch von sepúlveda luis reclams universal bibliothek 19724 schnelle

[un viejo que leía novelas de amor resumen completo](#) - Oct 10 2022

web mar 7 2023 un viejo que leía novelas de amor es una novela literaria escrita por el cineasta y periodista chileno luís sepúlveda el cual fue autor de cuentos y novelas muy relevantes en la historia de la literatura

lektüre un viejo que leía novelas de amor knowunity - Nov 11 2022

web abiturrelevante lektüre 16 seitige ausführliche präsentation auf spanisch handout über das buch un viejo que leía novelas de amor inklusive erklärungen personenbeschreibungen uvm

un viejo que leía novelas de amor luís sepúlveda google books - Apr 16 2023

web un viejo que leía novelas de amor the sky was a donkey s swollen paunch hanging threateningly low overhead begins luís sepúlveda s gracefully written novel combining simple story telling with mythic characters and artfully bold language

un viejo que leía novelas de amor - Feb 02 2022

web un viejo que leía novelas de amor sepúlveda luís isbn 9786074218022 kostenloser versand für alle bücher mit versand und verkauf duch amazon zum hauptinhalt wechseln de hallo lieferadresse wählen un viejo que leia novelas de amor maxi

[un viejo que leía novelas de amor spanish edition](#) - Dec 12 2022

web jan 1 2009 su novela el fin de la historia significó el retorno de sepúlveda al protagonista de nombre de torero juan belmonte con una investigación a la manera de chandler con historia de una gaviota y del gato que le enseñó a volar sepúlveda se convirtió en un clásico vivo para muchos jóvenes y escolares le siguieron en

un viejo que leía novelas de amor archive org - Jun 18 2023

web un viejo que lei a novelas de amor by sepu lveda luís 1949 publication date 1998 publisher new york n y penguin collection printdisabled internetarchivebooks inlibrary

un viejo que leía novelas de amor luís sepúlveda free - Jul 19 2023

web jun 3 2013 un viejo que leía novelas de amor by luís sepúlveda publication date 1998 publisher penguin collection printdisabled internetarchivebooks inlibrary

un viejo que leía novelas de amor sepúlveda luís - May 05 2022

web spanischer text mit deutschen wörterklärungen b2 ger taschenbuch von sepúlveda luís reclams universal bibliothek 19724 schnelle

un viejo que leía novelas de amor wikipedia la enciclopedia libre - Feb 14 2023

web un viejo que leía novelas de amor es una novela literaria escrita por el periodista y cineasta chileno autor de cuentos y novelas luís sepúlveda fue escrita en el año 1988 el éxito de este libro fue tan rotundo que se tradujo a 60 idiomas y alcanzó los 18 millones de libros vendidos después de su publicación

un viejo que leia novelas de amor luís sepulveda pdf scribd - May 17 2023

web un viejo que lea novelas de amor luis sepúlveda datos iniciales la novela data de 1989 aunque en españa se publicó en 1993 en 8 años 1993 2011 ha alcanzado 80 ediciones en españa según la wikipedia ha vendido 18 millones de ejemplares de esta obra el autor nació en Ovalle Chile en 1949 estudió dirección teatral durante el régimen

sign in google accounts - Aug 08 2022

web un viejo que leía novelas de amor pdf es un documento que puedes ver en línea o descargar desde google sites se trata de la obra del escritor chileno Luis Sepúlveda que narra la historia de un hombre que aprende a leer y a apreciar la literatura en la selva amazónica una novela que te cautivará por su belleza y su mensaje ecológico

un viejo que leía novelas de amor ex libris - Jun 06 2022

web mit diesem buch der alte der liebesromane las wurde Luis Sepúlveda bekannt der kurze roman erzählt die geschichte von Antonio José Bolívar Proaño der mit seiner frau im Amazonasgebiet ein neues leben beginnen will doch seine frau überlebt den anpassungsprozess nicht

un viejo que leía novelas de amor spanischer text with - Apr 04 2022

web jan 16 2023 find many great new used options and get the best deals for un viejo que leía novelas de amor spanischer text with deutschen wordere explain at the best online prices at ebay free shipping for many products

un viejo que leía novelas de amor zusammenfassung - Aug 20 2023

web der titel des romans un viejo que leía novelas de amor bedeute übersetzt der alte der liebesromane las dieser titel bezieht sich auf die hauptfigur des romans Antonio José Bolívar Proaño der gerne liest insbesondere liebesromane

un viejo que leía novelas de amor by Luis Sepúlveda goodreads - Mar 15 2023

web jan 1 1988 want to read buy on amazon rate this book un viejo que leía novelas de amor Luis Sepúlveda 3 92 23 533 ratings 2 067 reviews una emotiva historia ambientada en la selva amazónica que ha acabado convirtiéndose en un long seller literario

[un viejo que leía novelas de amor spanischer text pdf](#) - Mar 03 2022

web un viejo que leía novelas de amor spanischer text glencoe biology student edition un viejo que leía novelas de amor the old man and the sea historia de mix de max y de mex le bal coriolanus no fear shakespeare la ideología y su forma literaria en un viejo que leía novelas de amor de Luis Sepúlveda Últimas noticias del sur espacios

un viejo qui leía novelas de amor maxi - Sep 09 2022

web un viejo qui leía novelas de amor maxi taschenbuch 11 mai 2022 spanisch ausgabe von Luis Sepúlveda autor 496 sternebewertungen alle formate und editionen anzeigen

un viejo que leía novelas de amor spanischer text mit - Jan 13 2023

web un viejo que leía novelas de amor spanischer text mit deutschen worterkklärungen b2 ger reklams universal bibliothek

schwermann michaela sepúlveda luis isbn 9783150197240 kostenloser versand für alle bücher

les carnets de voyage au maroc de delacroix google arts - Mar 27 2023

web le 10 janvier 1832 le peintre eugène delacroix embarque pour un voyage de six mois qui bouleversera à jamais sa vie et sa peinture il accompagne le comte charles de mornay jeune

delacroix un voyage initiatique maroc andalousie algérie - Nov 22 2022

web nov 20 2006 un voyage initiatique présente pour la première fois l ensemble des volets du périple effectué en 1832 par eugène delacroix avec la mission française conduite par le comte charles de mornay venu négocier au maroc des problèmes de frontières avec moulay abd er rahman

eugène delacroix un voyage initiatique maroc andalousie - Jul 19 2022

web un voyage initiatique présente pour la première fois l ensemble des volets du périple effectué en 1832 par eugène delacroix avec la mission française conduite par le comte charles de mornay venu négocier au maroc des problèmes de frontières avec moulay abd er rahman

voyage en afrique du nord d eugène delacroix wikipédia - Jun 29 2023

web voyage en afrique du nord d eugène delacroix eugène delacroix femme marocaine 1832 eugène delacroix Étude d arabe assis le voyage de sept mois effectué entre janvier et juin 1832 au maghreb et en andalousie 1 est un événement majeur de la vie du peintre eugène delacroix

delacroix un voyage initiatique maroc andalousie download - Mar 15 2022

web delacroix un voyage initiatique maroc andalousie downloaded from old vulkk com by guest armstrong hood noa noa eddif une chronologie de l histoire de l art signée bescherelle un ouvrage complet fiable et attractif qui s adresse à tous les curieux d histoire de l art un panorama vivant de l histoire de l art l ouvrage

delacroix au maroc un voyage de rêve beaux arts - Apr 27 2023

web jul 20 2021 i scène intime à tanger une femme en costume de mariée est assise pensive une servante maure à terre lui tient compagnie le regard tourné vers elle avec un pinceau je ferai sentir à tout le monde ce que j ai vu rapporte eugène delacroix dans son journal 1822 1863

eugène delacroix au maroc le voyage de toute une vie - Oct 02 2023

web jul 11 2021 le célèbre peintre français a entrepris en 1832 un voyage initiatique de six mois au maroc retracé par une exposition hommage à rabat la capitale du royaume

eugÈne delacroix 1798 1863 le voyage au maroc - Dec 24 2022

web ce qui peut apparaître comme un retour à l ordre se concrétisa assez paradoxalement dans le voyage que delacroix fit au maroc au cours des six premiers mois de 1832 il y accompagnait un diplomate le comte de mornay venu négocier avec le

sultan des arrangements rendus nécessaires par

delacroix un voyage initiatique maroc andalousie algérie - Oct 22 2022

web un voyage initiatique présente pour la première fois l ensemble des volets du périple effectué en 1832 par eugène delacroix avec la mission française conduite par le comte charles de mornay venu négocier au maroc des problèmes de frontières avec moulay abd er

eugène delacroix un voyage initiatique maroc andalousie - Aug 20 2022

web dec 30 1999 un voyage initiatique présente pour la première fois l ensemble des volets du périple effectué en 1832 par eugène delacroix avec la mission française conduite par le comte charles de mornay venu négocier au maroc des delacroix un voyage initiatique maroc andalousie pdf 2013 - Jun 17 2022

web 2 delacroix un voyage initiatique maroc andalousie 2022 05 31 constantes de la représentation picturale matière et lumière à celles de la musique voix et percussion il verra pointer les figures mythiques circé ulyse ou les marques arabes derrière les récits contemporains s étonnera de certains échos il

delacroix un voyage initiatique maroc andalousie algérie - Sep 01 2023

web eddif 2006 algeria 319 pages un voyage initiatique présente pour la première fois l ensemble des volets du périple effectué en 1832 par eugène delacroix avec la mission

delacroix un voyage initiatique maroc andalousie algarie copy - Feb 11 2022

web delacroix un voyage initiatique maroc andalousie algarie delacroix un voyage initiatique maroc andalousie algarie book review unveiling the power of words in some sort of driven by information and connectivity the power of words has are more evident than ever they have the capacity to inspire provoke and ignite change

delacroix un voyage initiatique maroc andalousie algérie - May 29 2023

web un voyage initiatique présente pour la première fois l ensemble des volets du périple effectué en 1832 par eugène delacroix avec la mission française conduite par le comte charles de mornay venu négocier au maroc des problèmes de frontières avec moulay abd er

delacroix un voyage initiatique maroc andalousie - May 17 2022

web delacroix un voyage initiatique maroc andalousie le retour aux indes jan 27 2021 les anciens appelaient indes toute terre lointaine et inconnue sur l île de chios en mer Égée vasco laisse sa fille à ses amours elle reste il part j irai vers toutes mes indes je mettrai mon pas dans ceux de ma jeunesse

delacroix un voyage initiatique maroc andalousie algérie - Feb 23 2023

web physical description 319 pages illustrations chiefly color 33 cm isbn 9782352700128 2352700124

eugène delacroix un voyage initiatique maroc andalousie - Sep 20 2022

web un voyage initiatique présente pour la première fois l'ensemble des volets du périple effectué en 1832 par Eugène Delacroix avec la mission française conduite par le comte Charles de Mornay venu négocier au Maroc des problèmes de frontières avec Moulay Abd er Rahman

delacroix un voyage initiatique maroc andalousie - Jan 25 2023

web delacroix un voyage initiatique maroc andalousie le voyage initiatique mar 21 2023 porteur de rencontres et de découvertes tout voyage est initiatique il révèle des dimensions nouvelles insoupçonnées parfois inespérées qu'elles se lisent dans les méandres de la géographie ou sur le

eugène delacroix exposé au maroc le rêve de l'orient - Jul 31 2023

web jul 13 2021 le célèbre peintre français a entrepris en 1832 un voyage initiatique de six mois au Maroc retracé par une exposition hommage à Rabat la capitale du royaume À lire aussi un pastel

delacroix un voyage initiatique maroc andalousie - Apr 15 2022

web delacroix un voyage initiatique maurice arama 2006 un voyage initiatique présente pour la première fois l'ensemble des volets du périple effectué en 1832 par Eugène Delacroix avec la mission française conduite par le comte Charles de Mornay venu négocier au Maroc des problèmes de frontières avec Moulay Abd er Rahman le

naplan report reveals nsw students success baulkham hills - Apr 30 2022

web dec 15 2021 nsw students have performed above the national average in this year's NAPLAN despite the disruption the 2021 NAPLAN national report has revealed Minister for Education Sarah Mitchell said today's release of 2021 NAPLAN results was cause to celebrate education in NSW which had overcome tremendous challenges brought by the

school results scores by domain nsw department of education - Jun 01 2022

web step 1 select a group of students what school were they in what year was it eg 2023 which assessment what domain by default all domains are de selected to show all domain data select one domain to view one at a time step 2 optionally select a subset of students an enrolment type group a specific enrolment type eal d gender

nsw school rankings bettereducation.com.au - Mar 10 2023

web nsw school rankings school rankings core hsc results and school rankings years 11 12 school hsc results and rankings hsc school rankings by sector government government selective independent co ed boys girls catholic compare school hsc results and trends high schools years 7 10 top high schools top nsw

naplan results 2022 nsw's high achieving schools revealed - Dec 27 2021

web dominic lorrimer at tara anglican school a private all girls school in north Parramatta students received well above average scores in all domains when compared with pupils from a similar background

2022 primary school rankings nsw top 150 schools matrix - Jul 14 2023

web here are the 2022 primary school rankings based on year 3 5 naplan results top 120 schools by hsc success rate in 2022 the primary school rankings are based on the 2022 year 3 5 naplan results for reading writing spelling grammar and

naplan update secrets of the high performing schools revealed - Aug 03 2022

web mar 15 2022 more than 200 schools in nsw have been labelled high progress based on new naplan data

naplan results 2023 how to check the performance of your child s school - Mar 30 2022

web feb 22 2023 in nsw sydney morning herald analysis shows the top achievers range from high fee private schools such as tara anglican school for girls and abbotsleigh to disadvantaged government schools such as fairfield heights public and canley vale high

reports and results nsw department of education - Sep 04 2022

web jul 21 2023 naplan proficiency standards from 2023 students results will be reported against 4 proficiency standards replacing the previous 10 bands and national minimum standard there are 4 proficiency levels for each assessment area at each year level exceeding the student s result exceeds expectations at the time of testing

my school terms of use - Jan 28 2022

web the my school website provides information that supports national transparency and accountability of australia s school education system through publication of nationally consistent school level data

top primary schools in nsw 2022 bettereducation com au - May 12 2023

web home school rankings primary top nsw 2017 2021 top persistent most improved 2012 2021 top

the best primary schools in sydney for 2023 ellaslist - Jan 08 2023

web feb 23 2023 the 2022 naplan results have been used to determine which are the top performing primary schools in sydney for 2023 of the top 20 primary schools in sydney 10 were in northern sydney four were in the inner city and six were in western sydney with scores ranking from 610 60 to 576 20 the top 10 primary schools in sydney have

[naplan national results acara](#) - Feb 09 2023

web download the naplan national results acara reports naplan national results for each year level tested years 3 5 7 and 9 and domain for australia as a whole by state territory as well as by gender indigeneity language background other than english status parental occupation parental education remoteness

naplan results 2023 nsw top schools revealed the sydney morning herald - Apr 11 2023

web feb 22 2023 key points schools in affluent areas have dominated the top 100 schools in the latest year 5 naplan results while advantaged schools made up more than 90 per cent of the top 100 dozens of schools defied that trend the nsw government said the results vindicated the 900 million it had spent on small group tuition

[naplan 2022 schools ranked nsw qld vic sa nt tas](#) - Jun 13 2023

web top primary sydney grammar school darlinghurst nsw abbotsleigh wahroonga nsw john colet school belrose nsw st aloysius college kirribilli nsw hornsby north public school hornsby nsw top secondary james ruse agricultural high school sydney girls high school north sydney girls high school north sydney boys high

primary nsw data updated jan 31 the sydney morning herald - Feb 26 2022

web the state ranking is the rank the school achieved based on an average of its results for reading writing spelling grammar and punctuation and numeracy in years 3 and 5 for primary schools and years 7 and 9 for high schools

top primary schools in nsw 2023 cluey learning - Aug 15 2023

web the table below shows the 150 top primary schools in new south wales to find the education information for each school such as naplan numeracy and literacy results number of students enrolled and iscea socio economic advantage values head on over to the myschools webpage for each school found in the last column of the table below

[naplan results for every nsw primary and high school](#) - Nov 06 2022

web feb 23 2023 naplan results for every nsw primary and high school we've crunched the numbers and ranked every nsw high school and primary school based on their 2022 naplan results see where your school ranks

[naplan results nsw department of education](#) - Dec 07 2022

web the naplan results report provides school staff with access to the prior naplan scores of their current students or current naplan scores of their past students the report compares students to the nsw doe average scores for each naplan domain and compares students to other students within the cohort

2022 naplan results released the educator k 12 - Oct 05 2022

web the 2022 naplan results have been released with several news reports revealing the top performing schools across australia among the nsw schools with high achieving results are tara anglican school hurstville public school john the baptist catholic primary school and cabramatta high school

[results across schools results nsw department of education](#) - Jul 02 2022

web naplan score distribution by school this box and whisker plot compares the naplan results for the selected assessment and domain between the selected schools each box and whisker represents the results for a single school hover over the box to view more details about the data