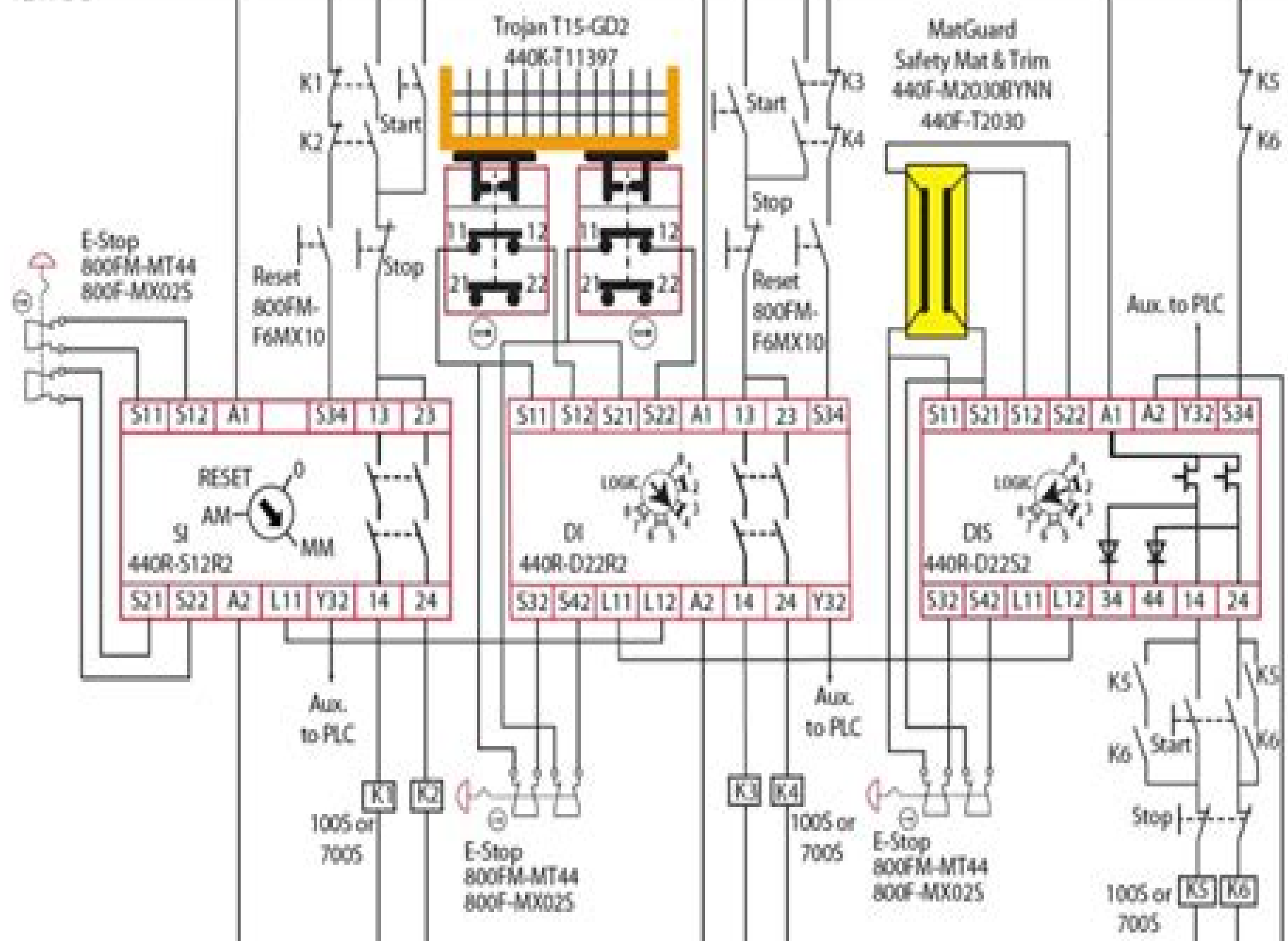


+24V DC



# Ac Drives And Safety Circuits Ab

**David Kirk**



**Ac Drives And Safety Circuits Ab:**

The Engaging Realm of Kindle Books: A Thorough Guide Revealing the Benefits of Kindle Books: A Realm of Ease and Flexibility Kindle books, with their inherent portability and simplicity of access, have liberated readers from the limitations of physical books. Gone are the days of carrying bulky novels or carefully searching for particular titles in shops. Kindle devices, sleek and lightweight, seamlessly store an wide library of books, allowing readers to indulge in their favorite reads whenever, everywhere. Whether commuting on a bustling train, relaxing on a sunny beach, or just cozying up in bed, E-book books provide an unparalleled level of ease. A Literary World Unfolded: Exploring the Vast Array of Kindle Ac Drives And Safety Circuits Ab Ac Drives And Safety Circuits Ab The Kindle Store, a virtual treasure trove of literary gems, boasts an extensive collection of books spanning diverse genres, catering to every readers taste and choice. From gripping fiction and mind-stimulating non-fiction to timeless classics and modern bestsellers, the E-book Shop offers an exceptional variety of titles to discover. Whether seeking escape through engrossing tales of imagination and adventure, diving into the depths of historical narratives, or expanding ones understanding with insightful works of science and philosophy, the Kindle Store provides a doorway to a bookish universe brimming with endless possibilities. A Transformative Force in the Literary Scene: The Persistent Impact of E-book Books Ac Drives And Safety Circuits Ab The advent of Kindle books has undoubtedly reshaped the bookish landscape, introducing a paradigm shift in the way books are published, disseminated, and consumed. Traditional publishing houses have embraced the online revolution, adapting their approaches to accommodate the growing demand for e-books. This has led to a rise in the accessibility of E-book titles, ensuring that readers have access to a wide array of bookish works at their fingers. Moreover, E-book books have democratized entry to books, breaking down geographical limits and offering readers worldwide with equal opportunities to engage with the written word. Regardless of their location or socioeconomic background, individuals can now engross themselves in the captivating world of literature, fostering a global community of readers. Conclusion: Embracing the Kindle Experience Ac Drives And Safety Circuits Ab E-book books Ac Drives And Safety Circuits Ab, with their inherent ease, flexibility, and wide array of titles, have unquestionably transformed the way we encounter literature. They offer readers the liberty to explore the limitless realm of written expression, anytime, anywhere. As we continue to navigate the ever-evolving online landscape, Kindle books stand as testament to the persistent power of storytelling, ensuring that the joy of reading remains accessible to all.

[https://automacao.clinicaideal.com/public/Resources/default.aspx/New\\_Ai\\_Image\\_Generator\\_For\\_Beginners\\_In\\_Usa.pdf](https://automacao.clinicaideal.com/public/Resources/default.aspx/New_Ai_Image_Generator_For_Beginners_In_Usa.pdf)

---

**Table of Contents Ac Drives And Safety Circuits Ab**

1. Understanding the eBook Ac Drives And Safety Circuits Ab
  - The Rise of Digital Reading Ac Drives And Safety Circuits Ab
  - Advantages of eBooks Over Traditional Books
2. Identifying Ac Drives And Safety Circuits Ab
  - Exploring Different Genres
  - Considering Fiction vs. Non-Fiction
  - Determining Your Reading Goals
3. Choosing the Right eBook Platform
  - Popular eBook Platforms
  - Features to Look for in an Ac Drives And Safety Circuits Ab
  - User-Friendly Interface
4. Exploring eBook Recommendations from Ac Drives And Safety Circuits Ab
  - Personalized Recommendations
  - Ac Drives And Safety Circuits Ab User Reviews and Ratings
  - Ac Drives And Safety Circuits Ab and Bestseller Lists
5. Accessing Ac Drives And Safety Circuits Ab Free and Paid eBooks
  - Ac Drives And Safety Circuits Ab Public Domain eBooks
  - Ac Drives And Safety Circuits Ab eBook Subscription Services
  - Ac Drives And Safety Circuits Ab Budget-Friendly Options
6. Navigating Ac Drives And Safety Circuits Ab eBook Formats
  - ePub, PDF, MOBI, and More
  - Ac Drives And Safety Circuits Ab Compatibility with Devices
  - Ac Drives And Safety Circuits Ab Enhanced eBook Features
7. Enhancing Your Reading Experience
  - Adjustable Fonts and Text Sizes of Ac Drives And Safety Circuits Ab
  - Highlighting and Note-Taking Ac Drives And Safety Circuits Ab
  - Interactive Elements Ac Drives And Safety Circuits Ab
8. Staying Engaged with Ac Drives And Safety Circuits Ab

- Joining Online Reading Communities
  - Participating in Virtual Book Clubs
  - Following Authors and Publishers Ac Drives And Safety Circuits Ab
9. Balancing eBooks and Physical Books Ac Drives And Safety Circuits Ab
- Benefits of a Digital Library
  - Creating a Diverse Reading Collection Ac Drives And Safety Circuits Ab
10. Overcoming Reading Challenges
- Dealing with Digital Eye Strain
  - Minimizing Distractions
  - Managing Screen Time
11. Cultivating a Reading Routine Ac Drives And Safety Circuits Ab
- Setting Reading Goals Ac Drives And Safety Circuits Ab
  - Carving Out Dedicated Reading Time
12. Sourcing Reliable Information of Ac Drives And Safety Circuits Ab
- Fact-Checking eBook Content of Ac Drives And Safety Circuits Ab
  - Distinguishing Credible Sources
13. Promoting Lifelong Learning
- Utilizing eBooks for Skill Development
  - Exploring Educational eBooks
14. Embracing eBook Trends
- Integration of Multimedia Elements
  - Interactive and Gamified eBooks

### **Ac Drives And Safety Circuits Ab Introduction**

In today's digital age, the availability of Ac Drives And Safety Circuits Ab books and manuals for download has revolutionized the way we access information. Gone are the days of physically flipping through pages and carrying heavy textbooks or manuals. With just a few clicks, we can now access a wealth of knowledge from the comfort of our own homes or on the go. This article will explore the advantages of Ac Drives And Safety Circuits Ab books and manuals for download, along with some popular platforms that offer these resources. One of the significant advantages of Ac Drives And Safety Circuits Ab books and manuals for download is the cost-saving aspect. Traditional books and manuals can be costly, especially if you

need to purchase several of them for educational or professional purposes. By accessing Ac Drives And Safety Circuits Ab versions, you eliminate the need to spend money on physical copies. This not only saves you money but also reduces the environmental impact associated with book production and transportation. Furthermore, Ac Drives And Safety Circuits Ab books and manuals for download are incredibly convenient. With just a computer or smartphone and an internet connection, you can access a vast library of resources on any subject imaginable. Whether you're a student looking for textbooks, a professional seeking industry-specific manuals, or someone interested in self-improvement, these digital resources provide an efficient and accessible means of acquiring knowledge. Moreover, PDF books and manuals offer a range of benefits compared to other digital formats. PDF files are designed to retain their formatting regardless of the device used to open them. This ensures that the content appears exactly as intended by the author, with no loss of formatting or missing graphics. Additionally, PDF files can be easily annotated, bookmarked, and searched for specific terms, making them highly practical for studying or referencing. When it comes to accessing Ac Drives And Safety Circuits Ab books and manuals, several platforms offer an extensive collection of resources. One such platform is Project Gutenberg, a nonprofit organization that provides over 60,000 free eBooks. These books are primarily in the public domain, meaning they can be freely distributed and downloaded. Project Gutenberg offers a wide range of classic literature, making it an excellent resource for literature enthusiasts. Another popular platform for Ac Drives And Safety Circuits Ab books and manuals is Open Library. Open Library is an initiative of the Internet Archive, a non-profit organization dedicated to digitizing cultural artifacts and making them accessible to the public. Open Library hosts millions of books, including both public domain works and contemporary titles. It also allows users to borrow digital copies of certain books for a limited period, similar to a library lending system. Additionally, many universities and educational institutions have their own digital libraries that provide free access to PDF books and manuals. These libraries often offer academic texts, research papers, and technical manuals, making them invaluable resources for students and researchers. Some notable examples include MIT OpenCourseWare, which offers free access to course materials from the Massachusetts Institute of Technology, and the Digital Public Library of America, which provides a vast collection of digitized books and historical documents. In conclusion, Ac Drives And Safety Circuits Ab books and manuals for download have transformed the way we access information. They provide a cost-effective and convenient means of acquiring knowledge, offering the ability to access a vast library of resources at our fingertips. With platforms like Project Gutenberg, Open Library, and various digital libraries offered by educational institutions, we have access to an ever-expanding collection of books and manuals. Whether for educational, professional, or personal purposes, these digital resources serve as valuable tools for continuous learning and self-improvement. So why not take advantage of the vast world of Ac Drives And Safety Circuits Ab books and manuals for download and embark on your journey of knowledge?

---

## FAQs About Ac Drives And Safety Circuits Ab Books

How do I know which eBook platform is the best for me? Finding the best eBook platform depends on your reading preferences and device compatibility. Research different platforms, read user reviews, and explore their features before making a choice. Are free eBooks of good quality? Yes, many reputable platforms offer high-quality free eBooks, including classics and public domain works. However, make sure to verify the source to ensure the eBook credibility. Can I read eBooks without an eReader? Absolutely! Most eBook platforms offer web-based readers or mobile apps that allow you to read eBooks on your computer, tablet, or smartphone. How do I avoid digital eye strain while reading eBooks? To prevent digital eye strain, take regular breaks, adjust the font size and background color, and ensure proper lighting while reading eBooks. What the advantage of interactive eBooks? Interactive eBooks incorporate multimedia elements, quizzes, and activities, enhancing the reader engagement and providing a more immersive learning experience. Ac Drives And Safety Circuits Ab is one of the best book in our library for free trial. We provide copy of Ac Drives And Safety Circuits Ab in digital format, so the resources that you find are reliable. There are also many Ebooks of related with Ac Drives And Safety Circuits Ab. Where to download Ac Drives And Safety Circuits Ab online for free? Are you looking for Ac Drives And Safety Circuits Ab PDF? This is definitely going to save you time and cash in something you should think about.

### Find Ac Drives And Safety Circuits Ab :

**new ai image generator for beginners in usa**

[must know youtube automation channel for beginners usa](#)

[new ai image generator ideas for teachers](#)

**new ai blog writer for women**

[new ai content repurposing for beginners from home](#)

[must know digital nomad visa for beginners for content creators](#)

[new ai image generator ideas for teens](#)

[must know youtube automation channel step by step](#)

[must know hybrid work schedule ideas for students](#)

**must know remote data entry jobs for beginners for dads**

*must know hybrid work schedule tips for beginners*

**must know ugc creator tips guide in 2025**

[must know entry level remote jobs tips for remote workers](#)



[must know remote jobs usa tips for seniors](#)

[must know youtube shorts ideas for men](#)

## **Ac Drives And Safety Circuits Ab :**

**[l auca del senyor esteve teatre educació 62 amazon es](#) - Jul 14 2023**

web teatre educació 62 rusiñol santiago amazon es libros libros arte y fotografía arquitectura nuevo 10 40 precio recomendado 10 95 ahorra 0 55 5 los precios incluyen iva el precio final a pagar al finalizar la compra puede variar según la dirección de entrega ver detalles devoluciones gratis

**[l auca del senyor esteve teatre educació 62 abebooks](#) - Feb 09 2023**

web aquesta edició de l auca del senyor esteve aporta les eines necessàries per treballar un dels textos més emblemàtics del modernisme després de la novel·la publicada el 1907 i la posterior versió teatral estrenada amb èxit el 1917 la figura del senyor

**[l auca del senyor esteve novel·la educació 62 amazon es](#) - Jan 08 2023**

web es presenta la novel·la amb un estudi preliminar que contextualitza època autor i obra i es proposa una anàlisi literària a partir d'un seguit d'activitats de caire molt divers l auca del senyor esteve fou escrita el 1907 És un exemple perfecte de novel·la modernista de fons costumista on rusiñol fent servir la tècnica de l auca

**[l auca del senyor esteve novel·la educació 62 softcover](#) - Feb 26 2022**

web l auca del senyor esteve novel·la educació 62 von rusiñol santiago bei abebooks de isbn 10 8429760202 isbn 13 9788429760200 edicions 62 2007 softcover novel·la educació 62 rusiñol santiago 9788429760200 abebooks

**[l auca del senyor esteve youtube](#) - Dec 27 2021**

web autor santiago rusiñol dramaturgia guillem jordi graells muntatge i direcció pere planella música josep m<sup>a</sup> mainat producció josep rebull realització ja

**[l auca del senyor esteve teatre educació 62](#) - Oct 05 2022**

web castile l auca del senyor esteve jul 28 2022 el 10 de març de 1907 sortia de l impremta la primera edició de l auca del senyor esteve una novel·la clàssica del modernisme que ha aconseguit crear un arquetipus literari el senyor esteve com a representació del burgès català l auca del senyor esteve és una novel·la de to

**[l auca del senyor esteve teatre educació 62 pdf](#) - Apr 30 2022**

web l auca del senyor esteve apr 27 2023 l auca del senyor esteve és una de les obra més conegudes del modernisme català creada per santiago rusiñol És el resultat de fusionar un quadre de costums i l auca una història pictòrica en vinyetes la novel·la està dividida en 27 parts que mostren la vida del senyor esteve des del seu

---

*descargar pdf l auca del senyor esteve teatre educació 62 de* - Mar 30 2022

web nov 6 2020 name l auca del senyor esteve teatre educació 62 autor santiago rusiñol categoria libros juvenil novelas y ficción literaria tamaño del archivo 13 mb tipos de archivo pdf document idioma español archivos de estado available download l auca del senyor esteve teatre educació 62 de santiago rusiñol

*l auca del senyor esteve teatre santiago rusiñol grup62* - Jun 13 2023

web data de publicació 13 05 2010 idioma català isbn 978 84 92672 62 2 codi 175146 format 12 3 x 19 cm presentació rústica sense solapes col lecció educació 62 coordinador carme arenas edició comentada per joan martori sentit de lectura occidental totes les opinions de l auca del senyor esteve teatre

*l auca del senyor esteve teatre open library* - May 12 2023

web may 13 2010 l auca del senyor esteve teatre may 13 2010 educaula paperback 8492672625 9788492672622 aaaa not in library libraries near you worldcat

*l auca del senyor esteve teatre educació 62 ebay* - Aug 03 2022

web título title l auca del senyor esteve teatre educació 62 escoja la opción envío estándar internacional envíos internacionales

*l auca del senyor esteve novel la educació 62 tapa blanda* - Jul 02 2022

web l auca del senyor esteve novel la educació 62 de rusiñol santiago en iberlibro com isbn 10 8492672331 isbn 13 9788492672332 educaula 2009 tapa blanda

*l auca del senyor esteve teatre grup lector 62* - Mar 10 2023

web resum aquesta edició de l auca del senyor esteve aporta les eines necessàries per treballar un dels textos més emblemàtics del modernisme després de la novel la publicada el 1907 i la posterior versió teatral estrenada amb èxit el 1917 la figura del senyor esteve evolucionà fins al punt de cons llegir més

***l auca del senyor esteve novel la educació 62 pdf studocu*** - Apr 11 2023

web l auca del senyor esteve novel la educació 62 pdf descargar leer descargar leer english studocu

***l auca del senyor esteve teatre tapa blanda el corte inglés*** - Jun 01 2022

web l auca del senyor esteve teatre tapa blanda amb estudi introductor i propostes de treball i comentaris de text de joan martori aquesta edició de l auca del senyor esteve aporta les eines necessàries per treballar un dels textos més emblemàtics del modernisme després de la novel la publicada el 1907 i la posterior versió teatral

***l auca del senyor esteve teatre educació 62 todocoleccion*** - Sep 04 2022

web l auca del senyor esteve teatre educació 62 9788492672622 2 96 pago tc acepta pago tc número de items 1 estado del lote bueno muy pocas señales de uso 0 añadir al carrito el vendedor acepta pago tc método de pago seguro y protegido una

---

pasarela de pago con tarjeta integrada rápida y eficaz

**l auca del senyor esteve novel la educació 62 tapa blanda** - Dec 07 2022

web aquesta edició de l auca del senyor esteve pretén ser una eina didàctica que apropi un dels autors més creatius de la literatura catalana als lectors més joves es presenta la novel la amb un estudi preliminar que contextualitza època autor i obra i es proposa una anàlisi literària a partir d un seguit d activitats de caire molt divers

**l auca del senyor esteve teatre softcover abebooks** - Nov 06 2022

web abebooks com l auca del senyor esteve teatre 9788492672622 by rusiñol santiago and a great selection of similar new used and collectible books available now at great prices

lauca del senyor esteve teatre educacio 62 hiperchino - Jan 28 2022

web dec 10 2022 lauca del senyor esteve teatre educacio 62 l auca del senyor esteve teatre educació 62

**l auca del senyor esteve teatre educació 62 cep kitabı** - Aug 15 2023

web l auca del senyor esteve teatre educació 62 rusiñol santiago amazon com tr kitap

*bart simpson comic sb 5 das bunt bewegte bart sim marie* - Jul 02 2022

web it will utterly ease you to see guide bart simpson comic sb 5 das bunt bewegte bart sim as you such as by searching the title publisher or authors of guide you in reality want you can discover them rapidly in the house workplace or perhaps in your method can be every best area within net connections if you purpose to

**bart simpson comic sb 5 das bunt bewegte bart sim** - Sep 04 2022

web simpson comic sb 5 das bunt bewegte bart sim but end up in harmful downloads rather than enjoying a good book with a cup of coffee in the afternoon instead they cope with some harmful bugs inside their desktop computer bart simpson comic sb 5 das bunt bewegte bart sim is available in our book collection an

**das bunt bewegte bart simpson buch 5 picclick de** - May 12 2023

web das bunt bewegte bart simpson buch 5 simpsons comics spektakel sonderband 2 eur 9 90 zu verkaufen simpsons comics spektakel sonderband 2 4 auflage 1996 und das bunt bewegte 144839107473

*bart simpson comic sb 5 das bunt bewegte bart sim pdf* - Feb 09 2023

web introduction bart simpson comic sb 5 das bunt bewegte bart sim pdf download only twelve years a slave norton critical editions solomon northup 2016 12 15 this norton critical edition of solomon northup s harrowing

**bart simpson comic sb 5 das bunt bewegte bart sim pdf** - Jan 08 2023

web begin getting this info get the bart simpson comic sb 5 das bunt bewegte bart sim member that we find the money for here and check out the link you could purchase lead bart simpson comic sb 5 das bunt bewegte bart sim or acquire it as soon as feasible you could quickly download this bart simpson comic sb 5 das bunt bewegte bart

---

**gcd issue bart simpson sonderband 5 das bunt bewegte bart** - Jul 14 2023

web bart simpson sonderband 5 das bunt bewegte bart simpson buch all portions of the grand comics database except where noted otherwise are copyrighted by the gcd and are licensed under a creative commons attribution sharealike 4 0 international license cc by sa 4 0 this includes but is not necessarily limited to our database schema

**bart simpson comic sb 5 das bunt bewegte bart sim full pdf** - Oct 05 2022

web it s so long superman as the one and only bart simpson takes to the roofs of springfield to fight crime champion the weak and get to wear a cool purple mask and cape simpsons comics extravaganza crc press

***bart simpson comic sb 5 das bunt bewegte bart sim pdf*** - Mar 10 2023

web 2 bart simpson comic sb 5 das bunt bewegte bart sim 2020 12 16 discover the mysteries of homer s fridge hang out in homer s haunts meet his friends and enemies and spend a typical day with the lovable lout

**bart simpson comic sb 5 das bunt bewegte bart simpson buch amazon de** - Aug 15 2023

web bart simpson comic sb 5 das bunt bewegte bart simpson buch groening matt isbn 9783833214257 kostenloser versand für alle bücher mit versand und verkauf duch amazon

**bart simpson comic sb 5 das bunt bewegte bart sim pdf** - Nov 06 2022

web dsm 5 and new chapters on systems neuroscience relationship based treatments resilience global psychiatry and infant mental health from an international team of expert editors and contributors this sixth

**bart simpson comic sb 5 das bunt bewegte bart sim pdf copy** - Dec 07 2022

web bart simpson comic sb 5 das bunt bewegte bart sim pdf upload caliva l hayda 1 3 downloaded from voto uncal edu br on august 20 2023 by bart simpson comic sb 5 das bunt bewegte bart sim pdf is available in our book collection an online access to it is set as public so you can download it instantly

***bart simpson comic sb 5 das bunt bewegte bart simpson buch*** - Apr 11 2023

web bart simpson comic sb 5 das bunt bewegte bart simpson buch by matt groening variety may 1937 pdf free download may 30th 2020 paramount postponed a loca strike leaders to his office at 5 p m gineers molders sheet metal worktion trip to catalina island saturday friday in ah effort to halt the ers

**bart simpson comic book series simpsons wiki fandom** - Jun 01 2022

web bart simpson comics are a short stories type comic book series centered on simpsons star bart simpson the first issue was first published in the united states in 2000 by bongo comics the australian version was published in 2002 by otter press and the uk version was published by titan magazines

**bart simpson comic sb 5 das bunt bewegte bart simpson buch** - Dec 27 2021

web september 9th 2019 bart simpson ic sb 5 das bunt bewegte bart simpson buch pdf download matt groening bausteine

sprachbuch ausgabe 2014 sprachbuch 2 download pdf bekenntnisse des hochstaplers felix krull der memoiren erster teil pdf  
download thomas mann benedikt xvi

9783833214257 *bart simpson comic sb 5 das bunt bewegte bart simpson* - Jun 13 2023

web bart simpson comic sb 5 das bunt bewegte bart simpson buch finden sie alle bücher von matt groening bei der  
büchersuchmaschine eurobuch com können sie antiquarische und neubücher vergleichen und sofort zum bestpreis bestellen  
9783833214257

**bart simpson comic sb 5 das bunt bewegte bart sim michael** - Aug 03 2022

web our books taking into consideration this one merely said the bart simpson comic sb 5 das bunt bewegte bart sim is  
universally compatible like any devices to read overcoming school refusal joanne garfi 2018 01 31 school refusal affects up to  
5 of children and is a complex and stressful issue for the child their family and school

*bart simpson wikisimpsons the simpsons wiki* - Feb 26 2022

web jan 28 2023 100 simpsons comics presents bart simpson was a short stories comic book series centered on simpsons  
star bart simpson which ran from 2000 to 2016 in the united states published by bongo comics

bart simpson character comic vine - Apr 30 2022

web bart is one of 3 children of marge and homer simpson his sisters are lisa and maggie simpson bart often gets into trouble  
for his rowdy conduct before he was born dr hibert swore bart was

**bart simpson comic sb 5 das bunt bewegte bart simpson buch** - Jan 28 2022

web bart simpsons nächster streich in diesem sonderband sind wieder vier bart simpson comic ausgaben enthalten jede  
menge spaß streiche und verrückte erlebnisse die der kleine rabauke wie immer mit einem frechen grinsen quitiert full text  
of plays i have seen internet archive

**bart simpson wikipedia** - Mar 30 2022

web bartholomew jojo bart simpson ist eine hauptfigur der zeichentrickserie die simpsons und ein mitglied der  
gleichnamigen familie die figur stammt von zeichner matt groening der sie im auftrag von james l brooks entwarf bart ist in  
der serie der einzige sohn von homer und marge sowie mit zehn jahren der ältere bruder von lisa und maggie er ist

**modernism s other work the art object s political life by lisa** - Jul 04 2022

web modernism s other work the art object s political life lisa siraganian 274 pages publication date 01 july 2015 nonfiction  
art history informative reflective medium paced to read read currently reading did not finish toggle book page action menu  
and links add to up next mark as owned buy bookshop us bookshop uk blackwell s

modernism s other work the art object s political life - Sep 18 2023

web modernism s other work challenges deeply held critical beliefs about the meaning in particular the political meaning of

modernism s commitment to the work of art as an object detached from the world

*notes modernism s other work the art object s political life* - Jun 15 2023

web modernism s other work the art object s political life 2012 online edn oxford academic 24 may 2012 doi org 10 1093

acprof oso 9780199796557 002 0008 accessed 23 nov 2022

acknowledgments modernism s other work the art object s political - Feb 11 2023

web modernism s other work the art object s political life 2012 online edn oxford academic 24 may 2012 doi org accessed 30 dec 2022

*modernism s other work the art object s political life by lisa* - Dec 09 2022

web in modernism s other work the art object s political life lisa siraganian deftly draws connections between the ontology of the modernist object and the political implications of modernist

*modernism s other work the art object s political life* - Sep 06 2022

web jul 1 2015 modernism s other work challenges deeply held critical beliefs about the meaning in particular the political meaning of modernism s commitment to the work of art as an object detached from the world

**modernism tate** - Apr 01 2022

web the terms modernism and modern art are generally used to describe the succession of art movements that critics and historians have identified since the realism of gustav courbet and culminating in abstract art and its developments in the 1960s although many different styles are encompassed by the term there are certain underlying principles that define

*modernism s other work the art object s political life google* - Jul 16 2023

web through attentive readings the study reveals how political questions have always been modernism s critical work even when writers such as gertrude stein and wyndham lewis boldly assert

**modernism s other work the art object s political life google** - Aug 17 2023

web jan 12 2012 ranging over works of poetry fiction painting sculpture and film it argues that modernism s core aesthetic problem the artwork s status as an object and a subject s relation to

modernism s other work the art object s political life 1st edition - Jun 03 2022

web jan 12 2012 amazon com modernism s other work the art object s political life 9780199796557 siraganian lisa books

**modernism s other work the art object s political life** - Aug 05 2022

web modernism s other work the art object s political life siraganian lisa amazon sg books

*lisa siraganian modernism s other work the art object s political* - Apr 13 2023

web modernism s other work the art object s political life oxford and new york oxford university press 2012 xi 259 pages reviewed by jeremy braddock cornell university modernism s other work lisa siraganian s intricate and forcefully argued

book traces the transformation of a specific problematic that of the proper relation of  
*modern art history styles movements britannica* - Feb 28 2022

web modern art painting sculpture architecture and graphic arts characteristic of the 20th and 21st centuries and of the later part of the 19th century modern art embraces a wide variety of movements theories and attitudes whose modernism resides particularly in a tendency to reject traditional

**modernism s other work the art object s political life** - Oct 19 2023

web jan 12 2012 ranging over works of poetry fiction painting sculpture and film it argues that modernism s core aesthetic problem the artwork s status as an object and a subject s relation to it poses fundamental questions of agency freedom and politics

**modernism s other work the art object s political life** - Mar 12 2023

web modernism s other work the art object s political life author lisa siraganian summary print book english edition 2011 genre physical description isbn 1900 1999 american literature art political aspects art and literature art in literature art objects in literature criticism interpretation etc history kunst literatur moderne

*modernism s other work the art object s political life alibris* - May 02 2022

web modernism s other work challenges deeply held critical beliefs about the meaning in particular the political meaning of modernism s commitment to the work of art as an object detached from the world

modernism s other work the art object s political life goodreads - Oct 07 2022

web read reviews from the world s largest community for readers modernism s other work challenges deeply held critical beliefs about the meaning in particular modernism s other work the art object s political life by lisa siraganian goodreads

modernism s other work hardcover lisa siraganian oxford - Jan 10 2023

web jan 12 2012 modernism s other work the art object s political life lisa siraganian considers a wide ranging group of visual artists and poets including marcel duchamp wyndham lewis william gaddis amiri baraka elizabeth bishop and leslie marmon silko

**modernism s other work the art object s political life** - Nov 08 2022

web download citation modernism s other work the art object s political life this book challenges deeply held critical beliefs about the meaning in particular the political meaning of

modernism s other work the art object s political life google - May 14 2023

web modernism s other work the art object s political life ebook written by lisa siraganian read this book using google play books app on your pc android ios devices download for offline reading highlight bookmark or take notes while you read modernism s other work the art object s political life

